



do your offices in style
with best suspended led lighting solutions

WIPRO LIGHTING



changing office space ergonomics

LEDs form the most significant technology change in the lighting industry. It has revolutionized the entire lighting industry with new set of LED luminaires surging up for every application. LEDs now offer a complete solution which create dynamic lighting environment with enhanced efficiency and quality of light.

During the past few years, the concept of office ergonomics, which until recently only covered physical working conditions, has expanded to include the impact of the environment on workspace well-being. Good office ergonomics facilitates information processing, allows time to be used more efficiently and decreases the number of interruptions.

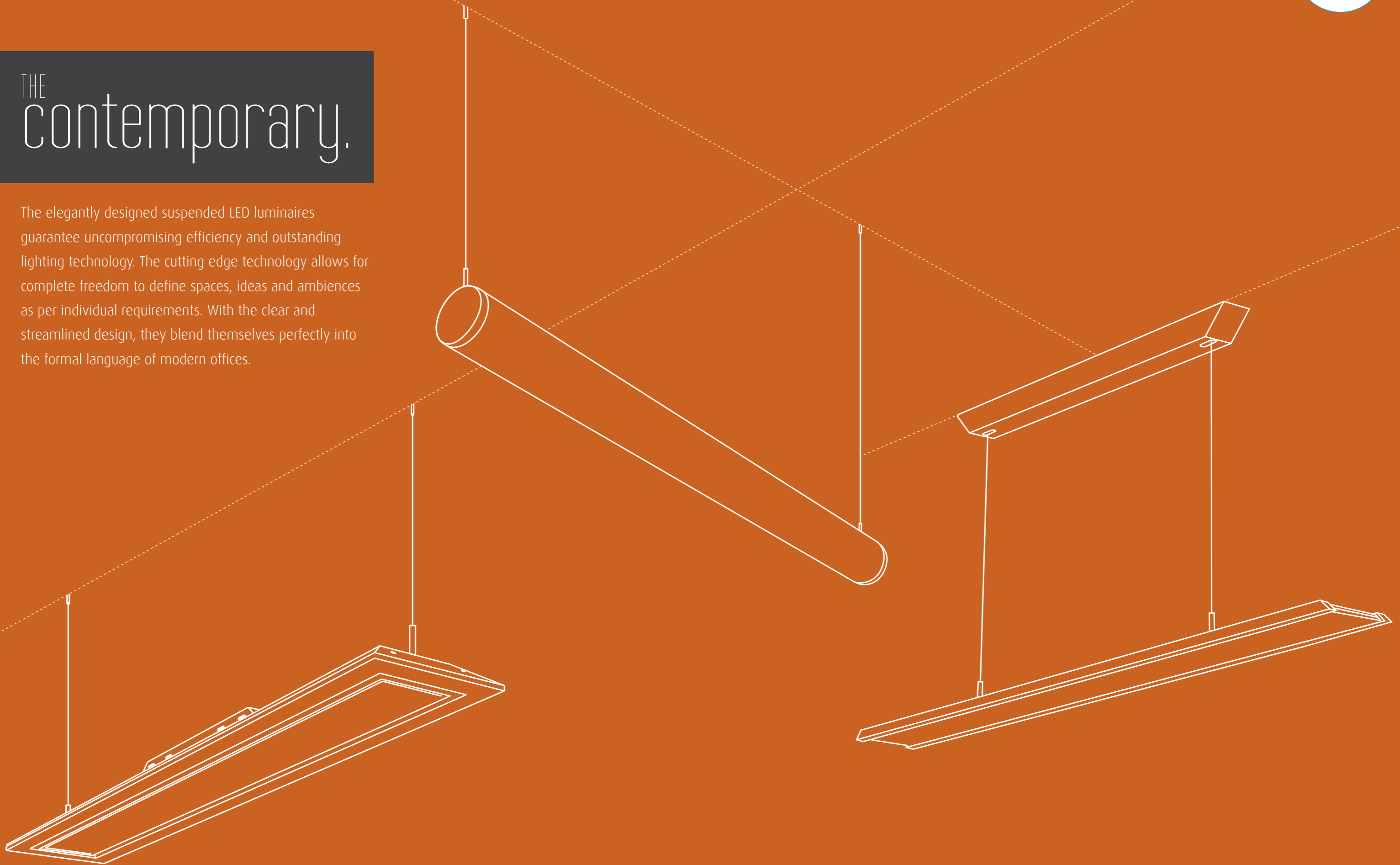
In an office of any size, the best solution for glare and reflections on the screen, as well as for overall visual performance, is ceiling suspended and indirect lighting. Suspended LED lighting solution perfectly addresses these changes in office design.

With Wipro LED suspended luminaires, you can create spaces where every worker, employee and manager is transformed into a visionary.



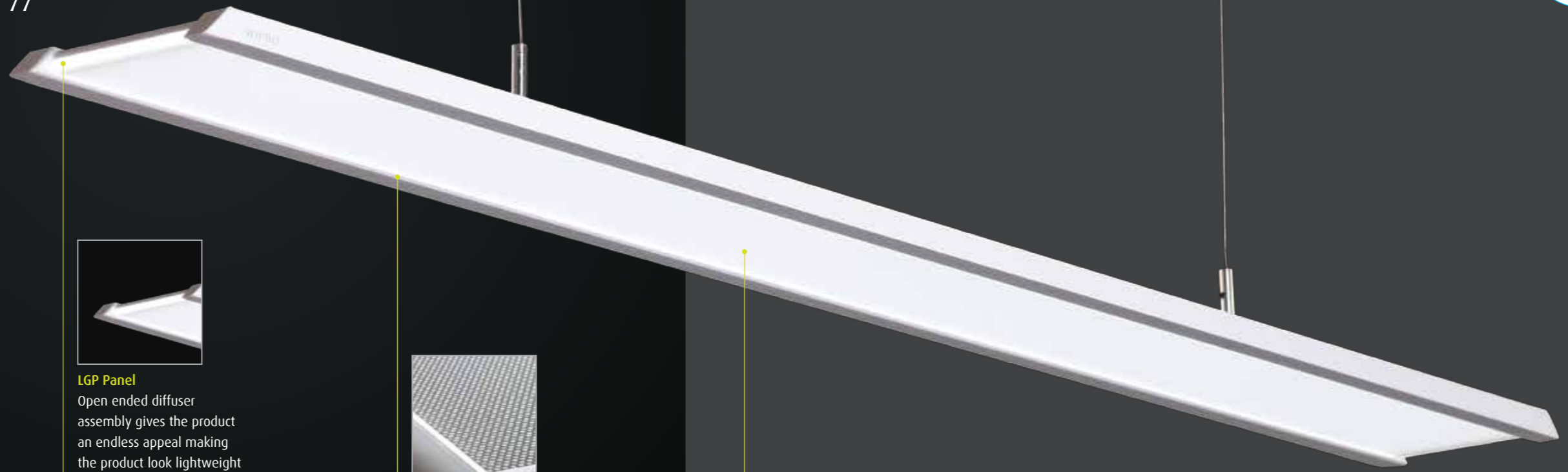
THE contemporary.

The elegantly designed suspended LED luminaires guarantee uncompromising efficiency and outstanding lighting technology. The cutting edge technology allows for complete freedom to define spaces, ideas and ambiances as per individual requirements. With the clear and streamlined design, they blend themselves perfectly into the formal language of modern offices.



AsimlineLED | LM 77

Edge Lit up-down Suspended Luminaire



LGP Panel

Open ended diffuser assembly gives the product an endless appeal making the product look lightweight and eye catching. It provides clients with a product of seamless light distribution.



Edge Lit Technology

A state-of-the-art edge lit configuration for optics. It allows to develop the slimmest products with better light efficacy. The technology offers a blend of both aesthetics & functionality.

Uniform Light

The slim linear proportions with profound aesthetics make the product look dynamic and elegant. Client is benefited due to full diffused LGP panel which provides wide uniform distribution on the workspaces.

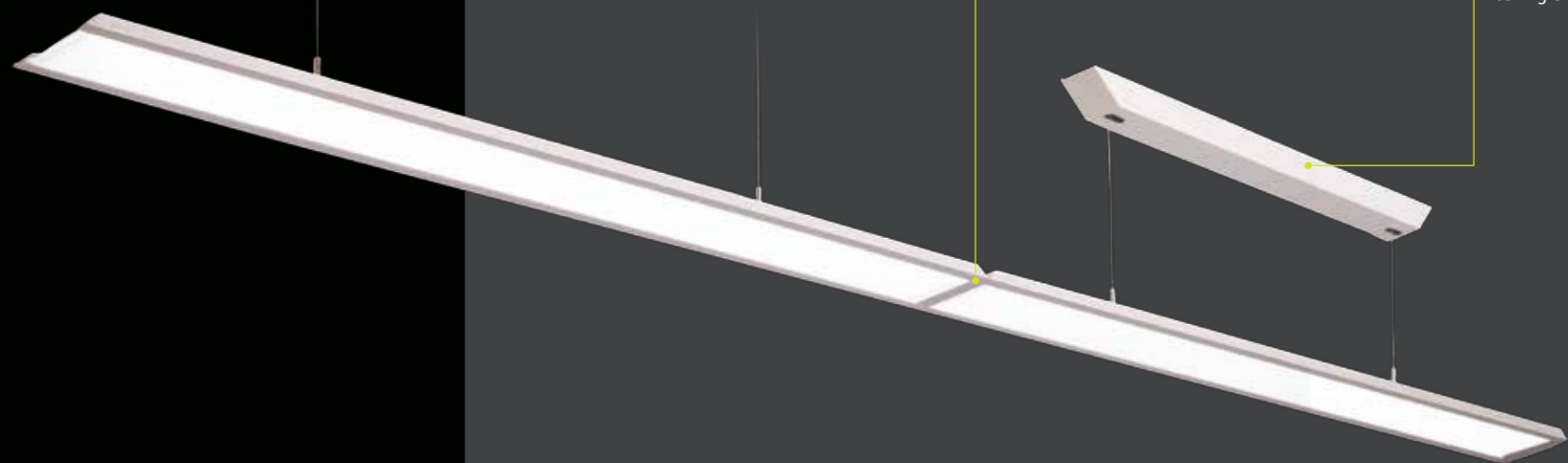


Seamless Integration

Modular design with linear connectivity makes the product appear as a "Light Band". It enables clients with a soft, soothing and visually pleasing experience.

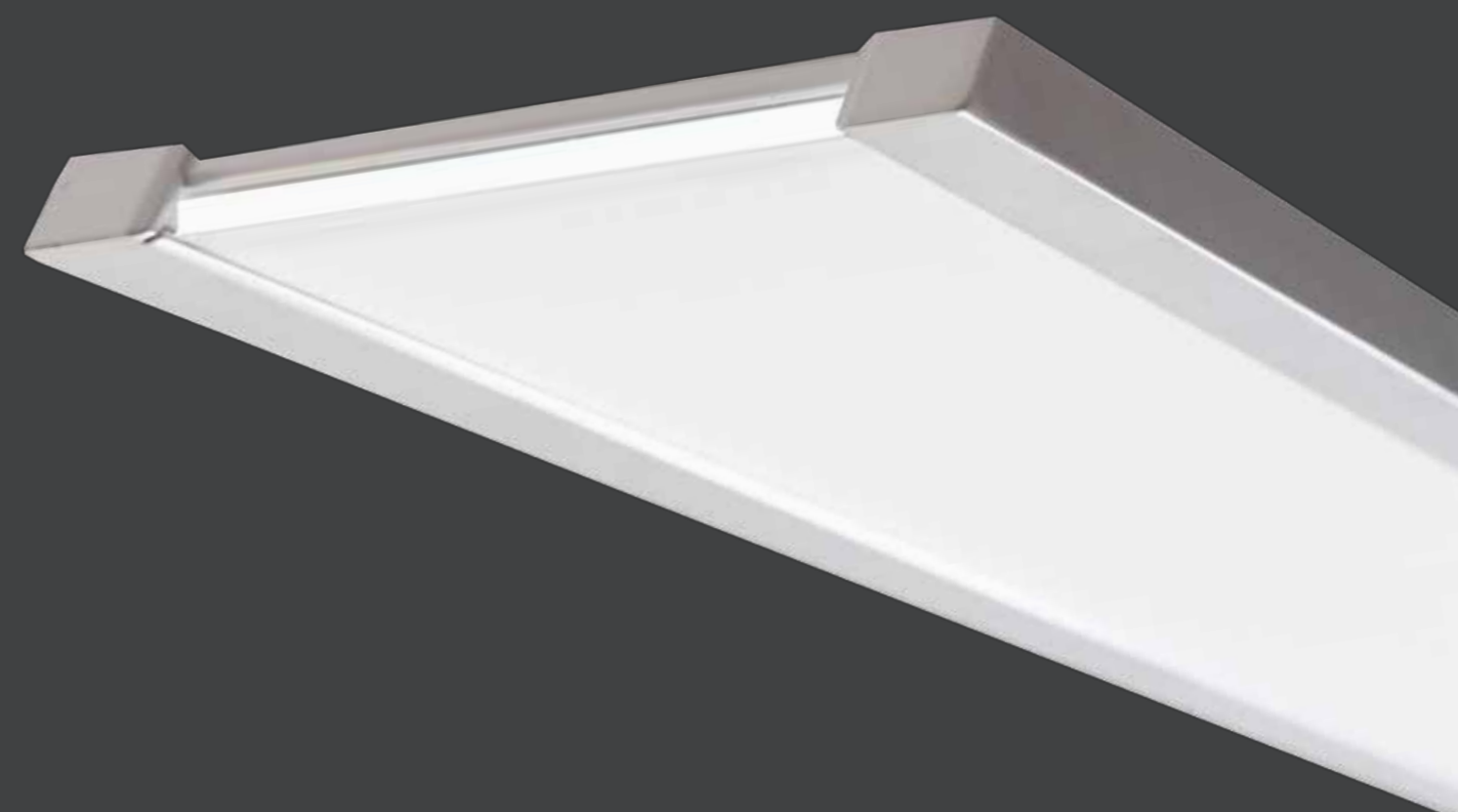
ECG Design

ECG - Electronic Control Gear design is unique to Asimline where in the ECG can be surface mounted or concealed behind the false ceiling. It provides clients flexibility and enhances the environment by giving ceiling a clean & neat look.



AslimlineLED | LM 77

Edge Lit up-down Suspended Luminaire



Specifications

- Extruded aluminum powder coated housing with pressure die cast end caps
- Edge lit optics derived from reflector+ light guide plate+ diffuser configuration
- Low wattage high efficiency LEDs
- Excellent heat dissipation through direct contact
- CRCA powder coated control gear housing
- Conforms to IS 10322 / Part 5 /Sec 1: 1987

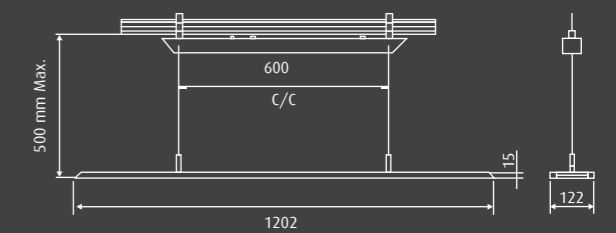
Installation

- Universal suspension system with quick onsite adjustment:
- LMX 771 suitable for installation on RCC ceiling
 - LMX 772 suitable for installation on modular grid Armstrong Prelude ceiling
 - LMX 773 suitable for installation on modular grid Armstrong Silhouette ceiling

Accessories

- In-built electronic LED driver
- Complete with LEDs and drivers pre-wired up to terminal block to connect in coming power
- 4way 10Amps GFP mains connector

Dimensions



All dimensions are in mm. Tolerance ± 2mm.

Applications



Electrical & Packing Data

INGRESS PROTECTION **IP20**

Cat. No.*	Luminaire Lumen OP (Lm)	Luminaire Wattage (W)	Rated Voltage (V)	Mains Current (A)	Approx Weight (KG)	Case Lot (in nos)
LM77-411-XXX-60-XX	2000	45	240	0.20	2.7	02
LM77-411-XXX-40-XX	2000	45	240	0.20	2.7	02

LED is an ever improving and evolving technology. Wipro is committed to bring you the best in LED technology. Data given is representative and can change.

TuboLED | LM 70

Circular Suspended LED Luminaire



Architectural Design

The exclusive tubular design allows for multiple options when it comes to illuminating the most diverse spaces in a unique manner. The office environment looks more homogenous and volumetric in lighting.

"Corona" Optics Diffuser

Specially designed annealed diffuser uses transparent inclusions, which means less light is lost and the luminaire efficiency is higher. This specially designed diffuser stands validated and delivers long life to the product.



180° Connectivity

The linear connectivity of TuboLED creates multiple linear illuminated rows of light, that are perfectly aligned with the furniture layouts.

Luminaire Efficiency

Highly efficient LEDs with >130lm/w and special optic diffuser with high transmissivity ensures high product efficiency and consistent uniform light output. Client is provided with the best in class energy efficient suspended up-down light, thereby achieving optimal lighting solution.

Perfect Illumination

The product design ensures even and homogenous illumination over the entire length of the luminaire tube. It helps the client to achieve uniform illumination across horizontal & vertical planes.

Specifications

- PMMA acrylic tubular housing
- End caps made up of engineering plastic material
- Suitable for stand alone and continuous row installation
- Loop in loop out provision to connect and power luminaire from single row
- High efficiency long life LEDs
- Complete with driver and accessories pre-wired up to terminal block
- Conforms to IS 10322 part 5/ Sec 1 1987



Applications

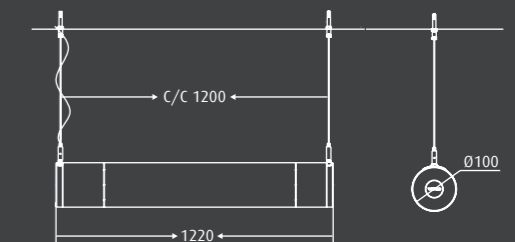


Installation

Universal suspension system with quick onsite adjustment:

- Mounting with 2 nos. suspensions from ceiling
- WVX501 suitable for installation on RCC ceiling
- WVX502 suitable for installation on modular grid Armstrong Prelude 24 mm exposed suspension system
- WVX503 suitable for installation on modular grid Armstrong, Silhouette 15 mm

Dimensions



All dimensions are in mm. Tolerance ± 2mm.

Electrical & Packing Data

INGRESS PROTECTION **IP20**

Cat. No.*	Luminaire Lumen OP (Lm)	Nominal System Wattage (W)	Rated Voltage (V)	Mains Current (A)	Approx. Weight (kg)	Case Lot (in nos)
LM70-421-XXX-57-XX	3570	42	240	0.22	3.8	04

*Other colour temperatures available on request.

LED is an ever improving and evolving technology. Wipro is committed to bring you the best in LED technology. Data given is representative and can change.

LiveLED | LM 74

Modular LED Luminaire



Features & Benefits

Aligned to Perfection

The product can be scaled or customised as required by the client and matching workstation length with the possibility of mounting arrangement in 90°, 120° & 180° configurations. The interiors can be aligned as per the workspace design bringing in more aesthetic appeal to the interiors. It also results in power savings through optimal design.

Volumetric Lighting

Suspended down light provides a homogenous lighting. Client is benefited with a wider & uniform light distribution with no cave effects on the walls.

Slim Visual Profile

Geometric styling provides LiveLED a slim profile when viewed from any angle. The office environment looks clutter free with clean and neat ceiling.

Pleasing Aesthetics

The extruded aluminium housing provides LiveLED a steadier look and makes it easier to handle and install. The client is provided with a long life product with ease to maintain.

Specifications

- Powder coated extruded housing with slim low height profile
- Special translucent high transmissivity, polycarbonate diffuser
- Low power, high efficiency LED
- Excellent heat dissipation through direct contact
- Driver pre-wired up to terminal block
- Luminaires are suitable for stand alone and continuous row installation
- Provision for loop in loop out for ease of wiring
- Conforms to IS 10322 part 5/ Sec 1 1987

Applications



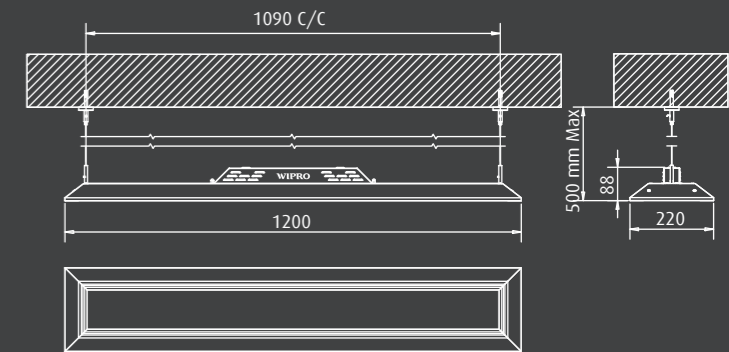
Installation

- Universal suspension system with quick onsite adjustment
- LMX 771 suitable for installation on RCC ceiling
- LMX 772 suitable for installation on modular grid Armstrong prelude ceiling
- LMX 773 suitable for installation on modular grid Armstrong silhouette ceiling
- Continuous row installation: using end to end connecting clamp (Supplied with luminaire)

Accessories

- In-built electronic LED driver
- Complete with LEDs and drivers pre-wired up to terminal block to connect in coming power
- 3way 10Amps GFP mains connector

Dimensions



All dimensions are in mm. Tolerance ± 2mm.

Electrical & Packing Data

INGRESS PROTECTION **IP20**

Cat. No.*	Nominal System Wattage (W)	Rated Voltage (V)	Mains Current (A)	Approx Weight (KG)	Case Lot (in nos)
LM76-361-XXX-57-XX	27	240	0.12	4.5	02

*Other colour temperatures available on request.

LED is an ever improving and evolving technology. Wipro is committed to bring you the best in LED technology. Data given is representative and can change.

OrbitLED | LM 71

Circular Suspended Fully Diffused LED Luminaire



Features & Benefits

Inspirational

Product design is inspiring and enables the user to design and develop interiors as per his/her choice. Client gets an opportunity to design workspaces more thoughtfully and bring a unique appeal to his interiors.

Architectural Design

Memorable architectural design form to blend and enhance modern spaces. The universal circular design enables the product to gel with different interiors in terms of color and ceiling systems.

Light in Weight

Spun aluminium housing acts as an excellent heat dissipation mechanism. The metal housing is light in weight and easy to install.

Homogenous Illumination

The product design enables a uniform illumination across the space and provides a soft and soothing visual appeal to the interiors.



Specifications

- Housing made of CRCA and white matt powder coated
- High efficacy and long life LEDs
- High Efficiency Translucence (HET) diffuser
- Suspension system made of steel wire
- Easy to mount on RCC ceiling and quick to service
- Driver pre-wired up to terminal block
- Designed and manufactured to comply with IS 10322 part 5/Sec 1 1987

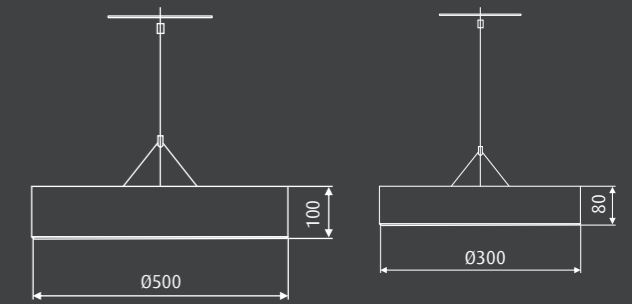
Applications



Installation

- Suitable for indoor suspended application
- Tripod Suspension system
- Suitable for RCC ceiling

Dimensions



All dimensions are in mm. Tolerance ± 2 mm.

Electrical & Packing Data

INGRESS PROTECTION **IP20**

Cat. No.*	Luminaire Lumen OP (Lm)	Nominal System Wattage (W)	Rated Voltage (V)	Mains Current (A)	Approx Weight (kg)	Case Lot (in nos)
LM71-441-XXX-57-XX	2920	34	240	0.272	4.25	01

*Other colour temperatures available on request.

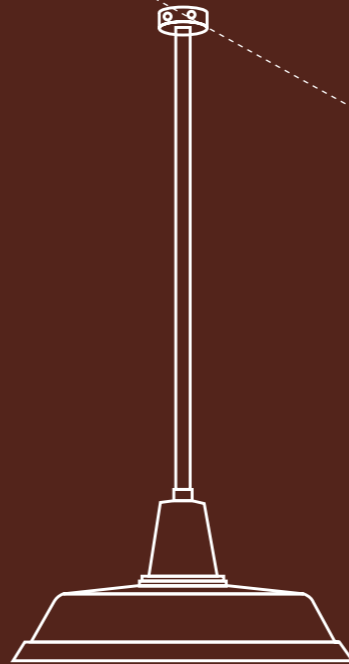
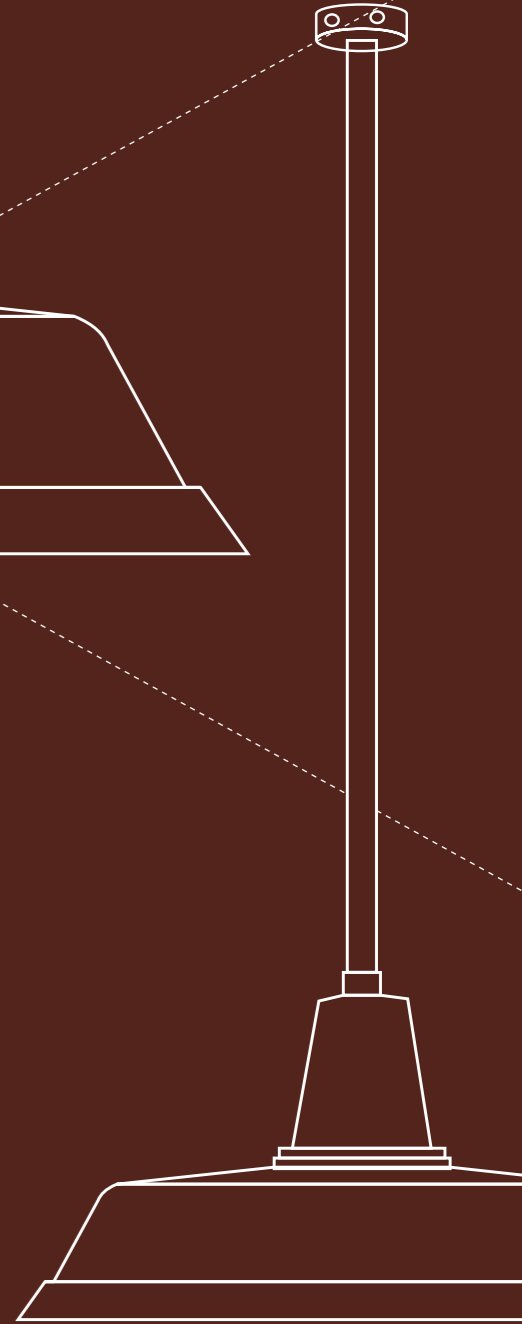
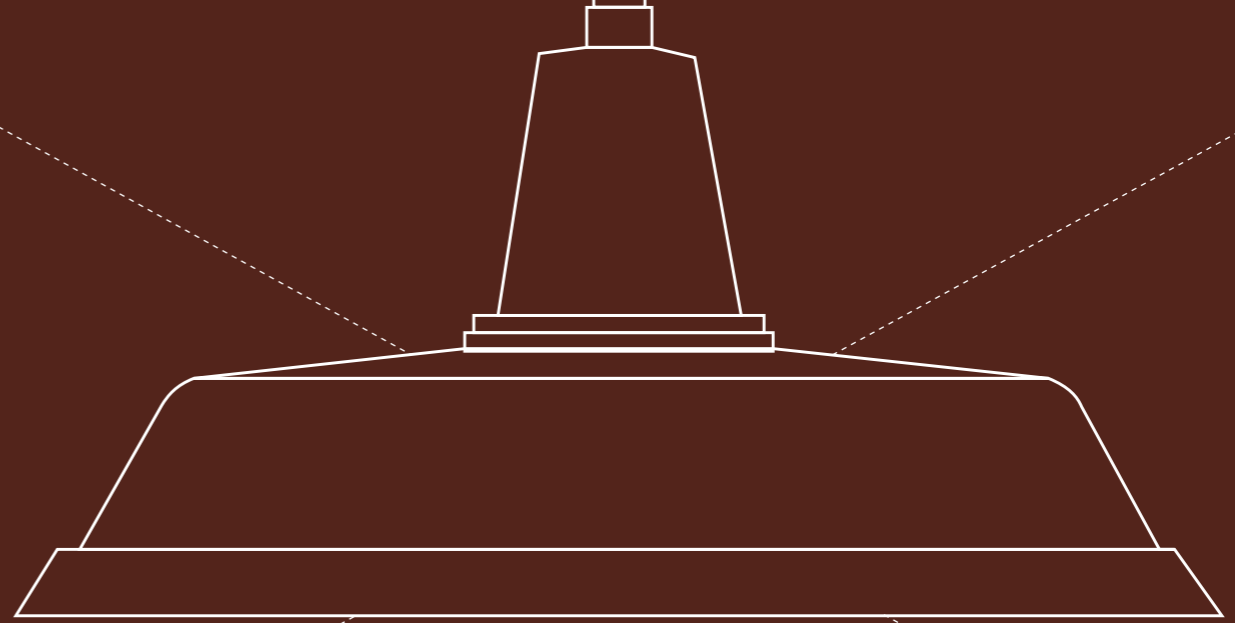
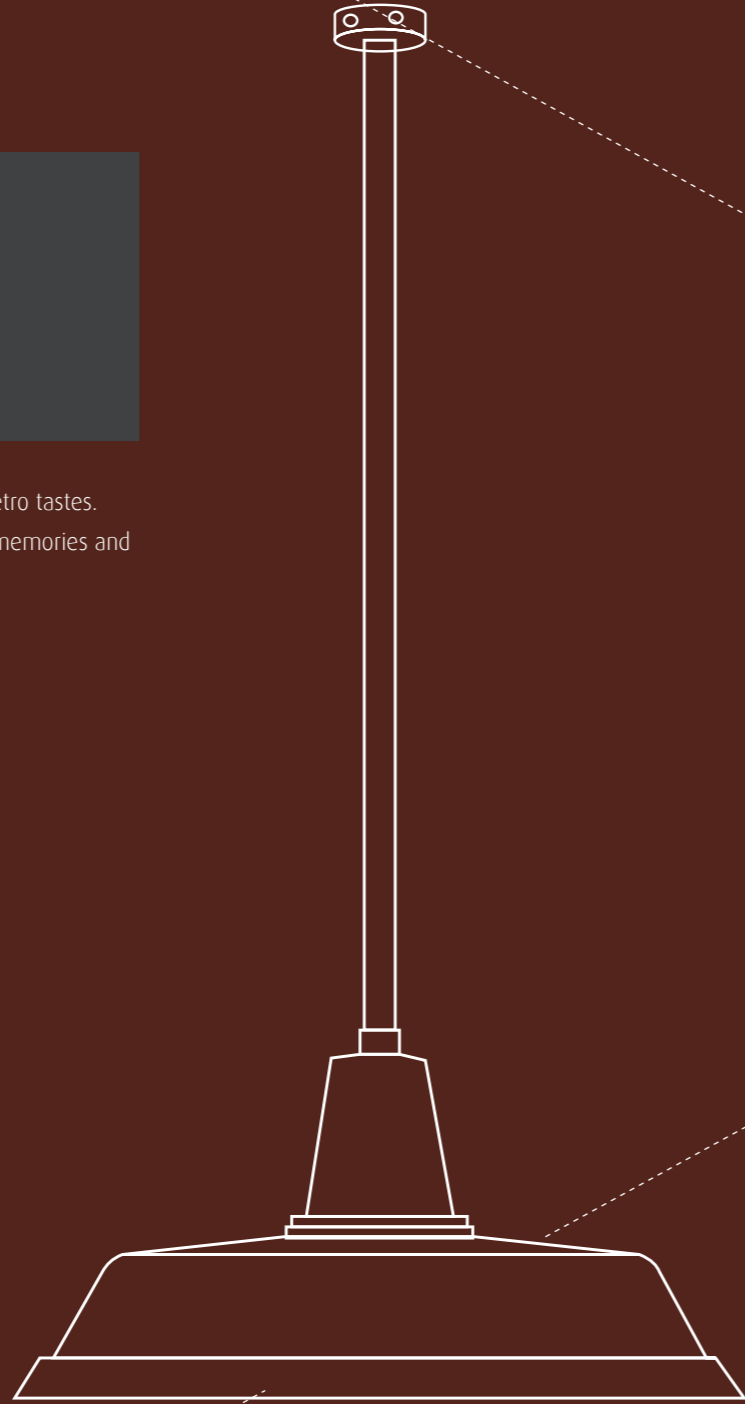
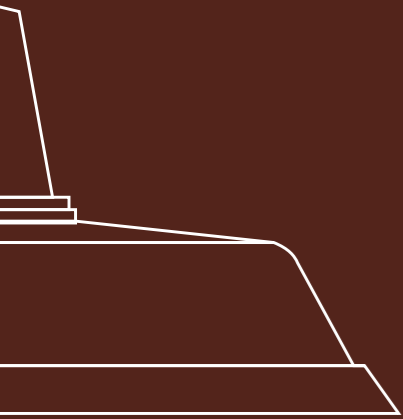
** Contact Wipro Team for more details on 0300 product.

LED is an ever improving and evolving technology. Wipro is committed to bring you the best in LED technology. Data given is representative and can change.



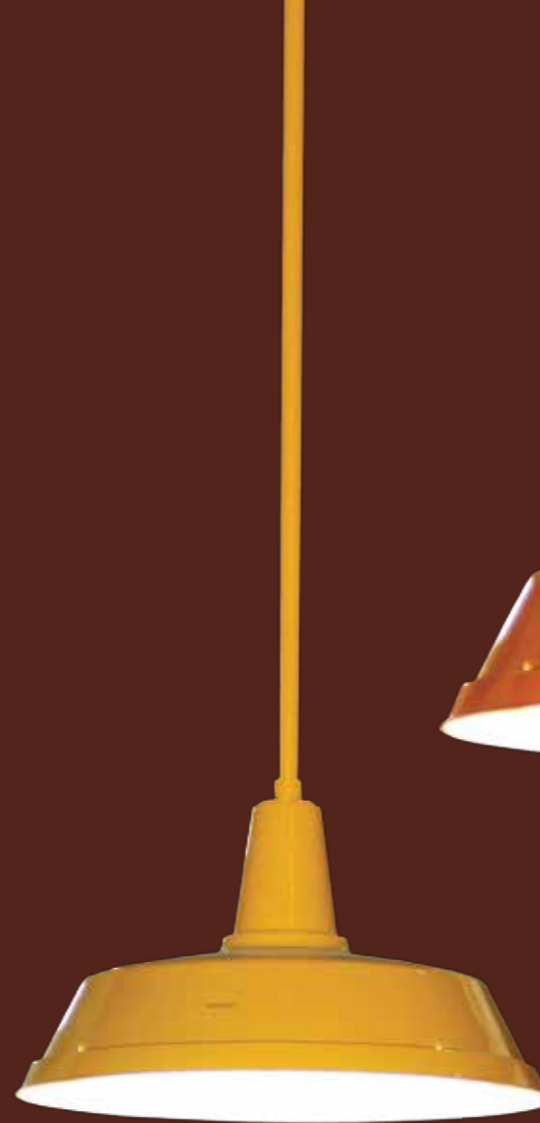
THE vintage.

The **Vintage** category is ideal for those with an artistic edge or retro tastes. Efficient in both form and function, its robust design brings back memories and noticeably enlivens modern as well as traditional spaces.



RetroLED | LM 75

Architectural LED Suspended Light Suitable for Surface Mounting on True Ceiling



Features & Benefits

Vintage Look

Timeless design that complements commercial & residential settings alike.

Architectural Design

Minimalistic architectural design form to blend and enhance modern spaces. The design compliments traditional yet contemporary interiors.

Housing

Heavy duty, spun aluminium housing cum reflector coupled with conduit pipes for integral wiring. It provides clients with a light in weight and steadier product solution.

Nostalgic Style

Luminaires from good old times. Clients can connect with the fixture and make use of the same in different interiors.

Uniform Illumination

Specially designed translucent PMMA diffuser emits uniform light, enhancing the quality of light on the horizontal planes. It enables the product design to be fully diffused with optimal output.

Specifications

- Spun reflector housing made of CRCA sheet & wine red powder coated finish RAL 3005
- Conduit pipe of 19mm dia with ceiling rows, provided to fix to the ceiling
- Special translucent PMMA diffuser for better light transmission
- High luminous flux imported LEDs for better light out put
- Easy to mount on RCC ceiling and quick to service
- Electronic control gear duly wired up to the terminal block
- Designed and manufactured to comply with IS 10322 part 5/Sec 1 1987

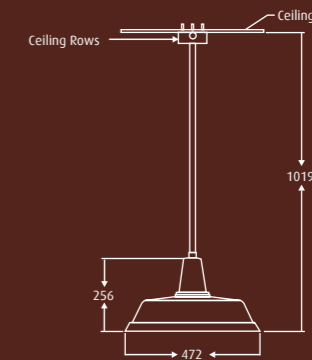
Applications



Installation

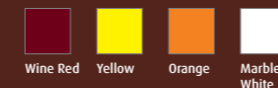
- Suitable for RCC ceiling

Dimensions



All dimensions are in mm. Tolerance ± 2mm.

Available on order in:



Electrical & Packing Data

INGRESS PROTECTION **IP20**

Cat. No.*	Luminaire Lumen OP (Lm)	Nominal System Wattage (W)	Rated Voltage (V)	Mains Current (A)	Approx. Weight (kg)	Case Lot (in nos)
LM75-301-XXX-40-XX	2200	26	240	0.120	1	01

*Other colour temperatures available on request.

LED is an ever improving and evolving technology. Wipro is committed to bring you the best in LED technology. Data given is representative and can change.

WIPRO LIGHTING LEDEGE

Get the Edge with LED Lighting Solutions for Newage Workspaces through:

- Eco-sustainability, Design and innovation, Green technology and Efficient lighting solutions
- Capability to service multi-locational accounts
- Service Commitment – 35 branches and over 400 dedicated stockists
- Ease of contact through website
- Trustworthiness and Reliability of Wipro

switch to LEDs

Energy efficient LED luminaires from the Leaders in Green Building Lighting



SpacioLED



ImmaculateLED



TZLED



LineosLED

Wipro Design

India's First
App on
Lighting Design

Design Office and Industry Spaces
Create and mail BOQs
View how designed spaces would look like
View latest offerings from Wipro

Download for free from
iOS and Google Play Store



Business Office:

Wipro Lighting, 5th floor, Godrej Eternia - C, old Pune-Mumbai road, Shivajinagar, Pune 411 005
Tel.: 020-66098700, Fax: 020-66098777. E-mail: helpdesk.lighting@wipro.com

Registered Office:

Wipro Enterprises Ltd.
#134, Doddakannelli, Sarjapur road, next to Wipro corporate office,
Bangalore – 560 035. India

New Delhi: 011-41708122-29, Mumbai (Vikhroli): 022-67213755, Bangalore: 080-41503260-68, Chennai: 044-32518016, Kolkata: 033 44045886/44045887,
Pune: 020-25510583/25535081, Hyderabad: 040-27176082/27178906/05, Vishakhapatnam: 96184 56143/96528 21212, Chandigarh: 0172-5018734/2660714,
Ludhiana: 98143 50562, Karnal: 96719 60518/98143 50562, Dehradun: 98143 50562, Lucknow: 0522-2434352/78440 02014, Patna: 97714 14655/98310 69725,
Guwahati: 94310 10627/98310 69725, Jaipur: 0141- 2280289, Jodhpur: 99282 11211, Ahmedabad: 079-40073546, Baroda: 0265-2395830/35, Surat: 99254 40019,
Rajkot: 99980 57866, Raipur: 0771-3265725, Indore: 0731-3299668/94250 72138/96173 63605, Bhopal: 94250 72138, Jabalpur: 98222 44448,
Jamshedpur: 85214 48424/98310 69725, Bhubaneswar: 99030 27514/98310 69725, Nagpur: 0712-2569878, Aurangabad: 98222 44448, Goa: 95619 62002,
Hubli: 95382 96651, Mangalore: 97405 22899/99614 64188, Cochin: 98950 65656/99614 64188, Coimbatore: 96556 93535/98439 48439,
Madurai (Tamilnadu): 98439 48439

Innovation and Improvement are a way of life at Wipro. All rights reserved. Reproduction of this data in part or in whole without permission is prohibited.
Care has been taken to ensure that the information content within is correct. We reserve the right to modify the product without prior intimation.
Imitation of Registered Designs is a punishable offence.