

# HELIOSLED

High efficiency LED downlighter



AVAILABLE IN

**9W, 12W, 15W & 18W**

**redefine your workspaces**

with better illumination  
and higher savings

efficacy  
**>95Lm/W**

upto  
**50%**  
energy savings

#### CUSTOMER BENEFITS

- Energy Savings upto 50%
- Long Service Life
- Maintenance Free Operations
- Better Light Quality



**High efficiency  
downlighter  
(>95Lm/W)**

Uniform light and  
high energy efficiency



**Pressure die-cast  
aluminium  
housing**

Better heat  
management



**Integrated  
driver**

Compact, easy to  
install and  
maintenance free

## WIPRO LIGHTING 4POINT ADVANTAGES

### LIGHT SOURCE

Best-in-class LED  
technology

High efficiency LED  
giving system efficacy  
of >95Lm/W

### DRIVER

Specially designed for  
Indian power conditions

Best-in-class design  
& manufacturing

### OPTICS

Uniform and glare-free  
lighting

### THERMAL MANAGEMENT

Special design for effective thermal  
management ensures long service life  
and consistent performance





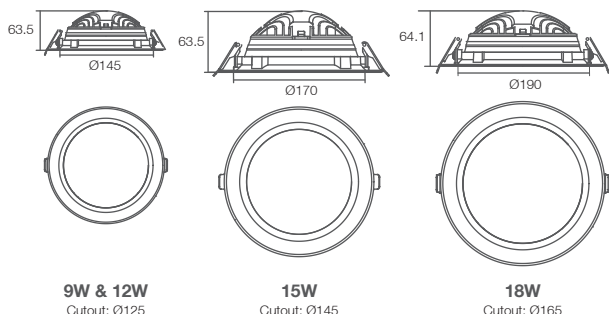
## SPECIFICATIONS

- Pressure die-cast aluminium housing
- High transmittivity PC diffuser
- Specially designed, easy to install mounting clips
- Integrated driver & accessories pre-wired
- High efficacy LEDs

## INSTALLATION

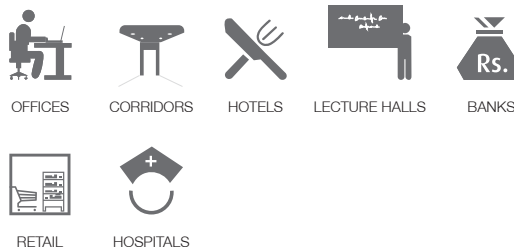
- Provision for mounting with the help of specially designed mounting clips

## DIMENSION DRAWINGS



All dimension are in mm. Tolerance  $\pm 2$ mm

## APPLICATIONS



## ELECTRICAL DATA

**IP20**

CAT. NO.	POWER (W)	RATED VOLTAGE (V)	MAINS CURRENT (A)	CUTOUT DIMENSION (MM)	CASE LOT (IN NOS.)
LD90-111-XXX-65-XX	9	240	0.04	Ø125	16
LD90-141-XXX-65-XX	12	240	0.05	Ø125	16
LD90-191-XXX-65-XX	15	240	0.07	Ø145	16
LD90-231-XXX-65-XX	18	240	0.08	Ø165	12

LED is an ever improving and evolving technology. Wipro is committed to bring you the best in LED technology. Data given is representative and can change.



### Business Office:

Wipro Lighting, 5 floor, Godrej Eternia - C, Old Pune-Mumbai Road, Shivajinagar, Pune 411 005.  
Tel.: 020-66098700, Fax: 020-66098777. E-mail: helpdesk.lighting@wipro.com

### Registered Office:

Wipro Enterprises (P) Limited, 'C' Block, CCLG Division, Doddakannelli, Sarjapur Road,  
Bangalore - 560035, India.

Toll-free no: 1800-425-1969  
[www.wiprolighting.com](http://www.wiprolighting.com)