

Picasso - Hexadome



Pendant / Suspended light suitable for surface mounting on true ceiling

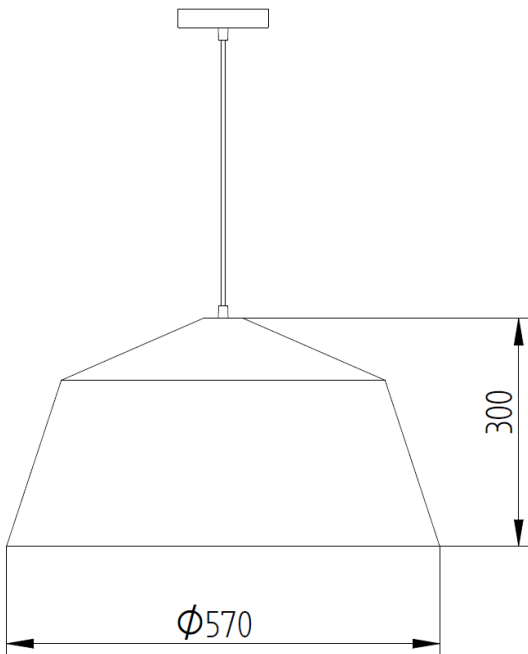


Specifications

- Spun Hexadome shape made of aluminium black colour outside finish & Golden colour inside finish
- Black coated Canopy provided to fix to the ceiling
- Easy to mount on RCC ceiling and quick to service
- E27 Lamp holder
- 1.5 mtr wire suspension

Application

- Shopping mall, Hotel, Exhibition hall, Art hall
- Museum, Suit for accent lighting and function lighting



All dimensions are in mm
Tolerance: ± 2 mm

Electric data:

IP 20

Cat. No.	Lamp Base	Finish	Voltage (V)
LM88-D570-BLGD	E 27	Black outside Golden Inside	240