



# landscapes

# UrbanoLED Pathway | LP 05

IP 66 LED pathway luminaire



## APPLICATIONS



## SPECIFICATIONS

- High-pressure die cast aluminium alloy body and components
- Luminaire anti-ageing electrostatic spray processed, Super resistance to corrosion
- Polycarbonate cover, high strength impact resistance
- Conforms to IS 10322 Part 5/Sec 1 : 1987

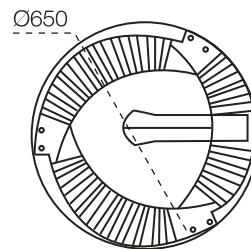
## INSTALLATION

- Pole mounted

## ACCESSORIES

- Pole to be ordered separately
- Pole Dia 76mm

## DIMENSION DRAWINGS



All dimensions are in mm. Tolerance  $\pm 2$  mm

## ELECTRICAL & PACKING DATA

INGRESS PROTECTION **IP66**

Cat. No.	Lumen Output (Lm)	Luminaire Wattage (W)	Mains Current (A)	Rated Voltage (V)	Case lot (in nos.)
LP05-711-XXX-57-XX	4982	60	0.26	240	01

LED is an ever improving and evolving technology. Wipro is committed to bring you the best in LED technology. Data given is representative and can change.



# UrbanoLED Pathway | LP 06

IP 66 LED pathway luminaire



## APPLICATIONS



## SPECIFICATIONS

- High-pressure die cast aluminium alloy body
- High efficiency, long life, LEDs
- Lenses for superior performance
- Toughened glass cover with IP66 protection

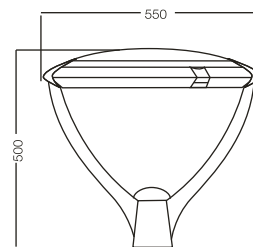
## INSTALLATION

- Pole mounted

## ACCESSORIES

- Pole to be ordered separately
- Pole Dia 60-76mm

## DIMENSION DRAWINGS



All dimensions are in mm. Tolerance  $\pm 2$  mm

## ELECTRICAL DATA

INGRESS PROTECTION **IP66**

Cat. No.	Lumen Output (Lm)	Luminaire Wattage (W)	Mains Current (A)	Rated Voltage (V)	Case lot (in nos.)
LP06-351-XXX-57-XX	2874	35	0.15	240	01

LED is an ever improving and evolving technology. Wipro is committed to bring you the best in LED technology. Data given is representative and can change.





# Post TopLED | LP 02

IP 65 aesthetically appealing vintage LED post top



### APPLICATIONS



### SPECIFICATIONS

- Die cast aluminium housing in Pure Polyester UV resistant powder coated grey finish
- Top maintainable product with top opening die cast cover
- Anti-corrosive stainless steel screws & silicon gasket
- HET PMMA diffuser
- IP65 Protection
- Driver duly wired up to terminal block
- Conforms to IS 10322 Part 5/Sec 1:1987

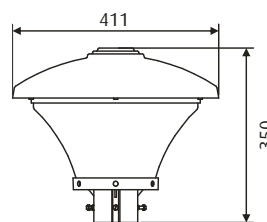
### INSTALLATION

- Luminaire is suitable for pole diameter of 65-75 mm. (Pole is not in Wipro's scope)
- Cable entry through pole from bottom
- In- built electronic LED driver
- 2 way 10Amps GFP mains connector

### ACCESSORIES

- Pole to be ordered separately
- Pole Dia 76mm

### DIMENSION DRAWINGS



All dimensions are in mm. Tolerance  $\pm 2$  mm

### ELECTRICAL DATA

INGRESS PROTECTION **IP65**

Cat. No.	Lumen Output (Lm)	Luminaire Wattage (W)	Mains Current (A)	Rated Voltage (V)	Approx Weight (Kg)	Case lot (in nos.)
LP02-501-XXX-57-XX	3524	45	0.2	240	4.9	01

\*Other color temperature available on request

LED is an ever improving and evolving technology. Wipro is committed to bring you the best in LED technology. Data given is representative and can change.

# Fantasy LED Bollard | CRLA 11

IP 65 LED bollard suitable for landscape lighting



## APPLICATIONS



## SPECIFICATIONS

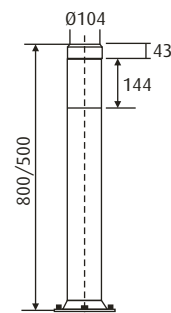
- MS housing 2mm wall thickness & black matt powder coated
- Special translucent PMMA milky tube for better light transmission
- High Luminous flux imported LEDs for better light output
- Product is designed for IP 65 protection
- Electronic control gear duly wired up to the terminal block
- Designed and manufactured to comply with IS 10322 part 5/Sec 1 1987

## INSTALLATION

- Designed for installation by fixing the base on a solid flat surface using rawl plugs or cemented fastening screws



## DIMENSION DRAWINGS



All dimensions are in mm. Tolerance  $\pm 2$  mm

## ELECTRICAL & PACKING DATA

INGRESS PROTECTION **IP65**

Cat. No.	Luminaire Lumen OP	Luminaire Wattage (W)	Rated Voltage (V)	Mains Current (A)	Approx. Weight (kg)	Case lot (in nos.)
CRLA11008HP27-08	560	8	240	0.037	3	01
CRLA11008HP57-08	560	8	240	0.037	3	01
CRLA11008HP27-05	560	8	240	0.037	2	01
CRLA11008HP57-05	560	8	240	0.037	2	01

LED is an ever improving and evolving technology. Wipro is committed to bring you the best in LED technology. Data given is representative and can change.



# GardeniaLED | LF 05

IP 67 integral LED bushlight/inground



## APPLICATIONS



## SPECIFICATIONS

- Die cast aluminium, compact, aesthetic, pure polyester powder coated housing
- IP 67, optically sealed housing with toughened glass totally sealed using silicon gasket ensuring IP and lifelong performance
- High efficiency COB LED mounted on black anodised aluminum heat sink for effective heat dissipation
- Special high efficiency optical grade UV stabilized engineering plastic reflector
- Available in 10, 24, 36 & 55 deg. beam angle
- Front maintainable with vandal resistant toughened glass giving access to driver and LED
- Anti corrosive stainless steel hardware facilitates maintenance
- Conforms to IS 10322 Part 5/ Sec.1:1987
- Complete with LEDs and driver pre-wired up to terminal block
- 2 way 10Amps GFP mains connector

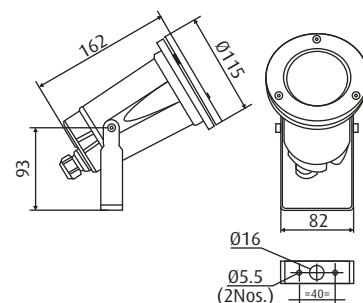
## INSTALLATION

- Cradle mounting

## ACCESSORIES

- Directional shield, Wipro Cat No. FFX 511
- Earth spike in die cast aluminum, Wipro Cat No. FFX 512

## DIMENSION DRAWINGS



All dimensions are in mm. Tolerance  $\pm 2$  mm

## ELECTRICAL & PACKING DATA

## INGRESS PROTECTION **IP67**

Cat No.	Lumen Output (Lm)	Luminaire wattage (W)	Input voltage	Approx. Weight (kg)	Case lot (nos)	Beam Angle (Deg)
LF05-450-024-27-XX	450	6	240	1.5	1	24
LF05-450-036-27-XX	450	6	240	1.5	1	36
LF05-450-055-27-XX	450	6	240	1.5	1	55
LF05-600-024-27-XX	600	8	240	1.5	1	24
LF05-600-036-27-XX	600	8	240	1.5	1	36
LF05-600-055-27-XX	600	8	240	1.5	1	55

\*For RGB, order controller LG70-004. Extra cable length (for RGB) per metre available  
LED is an ever improving and evolving technology. Wipro is committed to bring you the best in LED technology. Data given is representative and can change.