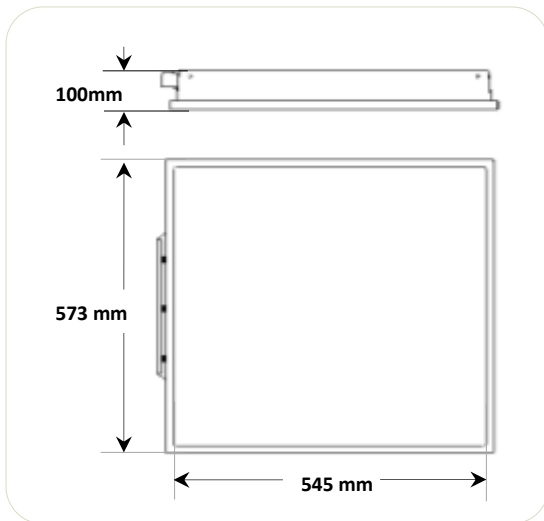


IMMACULATE LED

2'X2' Luminaire suitable for recessed grid/POP



IMMACULATE LED luminaire blends unobtrusively in the ceiling, with its thinnest bottom frame to give a **seamless look**. Immaculate provides **full tile glow excellent lighting quality** is topped up with high **uniformity and efficiency**.



CRCO10R036HP40RW

All dimensions in mm +/- 2mm.

Specifications	Feature/ Benefits
<ul style="list-style-type: none"> White Powder Coated Housing and front cover in CRCA Sheet 	<ul style="list-style-type: none"> Sleek and seamless Aesthetics Seamless Integration with Ceilings
<ul style="list-style-type: none"> High Efficiency Translucence (HET) diffuser 	<ul style="list-style-type: none"> Better Light Transmission & Immaculate effect Avoids dark patches and creates perfect diffusion of light
<ul style="list-style-type: none"> High efficacy LEDs 	<ul style="list-style-type: none"> Uniform and optimum light output Ideal Green Lighting Solution
<ul style="list-style-type: none"> IS 10322 part 5/Sec 1 2012 comply 	Comply for general purpose lighting
<ul style="list-style-type: none"> PoE 	Product compatible with PoE system/smart engine
<ul style="list-style-type: none"> Thoughtfully designed 	<ul style="list-style-type: none"> Easy Installation and long service life
<ul style="list-style-type: none"> IP20 	Protection against dust, insects and small items entry into luminaire for safety.

Applications

Ideal for Modern work spaces work area / office spaces, meeting rooms.
Refurbish application with existing 2X2 grid convectional luminaire.

Electrical Data

Product CAT No.	Power (+/-2W)	Rated Voltage(V)	Mains Current(A)	Case Lot(Nos)	Unit Weight (kg)
CRCO10R036HP40RW	36	240	0.17	2	3.6