

## OTHER INDUSTRIAL GENIUSES



wipro  
advantage



**Registered Office:** Wipro Enterprises (P) Ltd. 'Wipro House', No. 8, 7th Main, 80 Feet Road, Koramangala, 1st Block, Bangalore 560034, Karnataka, India.  
**Business Office:** Wipro Lighting, 5th Floor, Godrej Eternia - C, Old Pune-Mumbai Highway, Shivajinagar, Pune 411005, India. (T) 020 66098700, (F) 020 66098777



[www.wiprolighting.com](http://www.wiprolighting.com) | Toll free no: 1800 425 1969 | [helpdesk.lighting@wipro.com](mailto:helpdesk.lighting@wipro.com)

Follow us on: [in](#) [t](#) [f](#) [i](#) [s](#)

**Branches:** Ahmedabad | Bangalore | Baroda | Bhubaneshwar | Chandigarh | Chennai | Cochin | Coimbatore | Hyderabad | Indore | Jaipur | Kolkata | Lucknow | Mumbai | Nagpur | New Delhi | Pune | Raipur | Vishakhapatnam

Innovation and improvement are a way of life at Wipro. All rights reserved. Reproduction of this data in parts or in whole, without permission, is prohibited. Care has been taken to ensure that the information content within is correct. We reserve the right to modify the product without prior intimation. Imitation of Registered Designs is a punishable offence.



# MASTER THE



## THE FROSTLINE LIGHTING RANGE

# 30 YEARS OF WIPRO LIGHTING

Celebrating a journey that is now defining the future of lighting

At Wipro, innovation is in our DNA. Our leading-edge technology and customer-centric approach come together to provide intelligent lighting solutions across segments such as manufacturing, healthcare, outdoor, offices and much more. Recognized globally for thought-leadership and expert solutions, Wipro Lighting has been leading the category with excellence for the last 30 years!



## MAKING INDUSTRY INTELLIGENT

It's a world of smart factories and smarter solutions. Wipro Industrial Lighting 4.0 impacts businesses by helping users automate manufacturing tasks, maximize productivity and optimize costs. As pioneers of award-winning solutions, Wipro Lighting 4.0 enables industrial setups to become more sustainable, by putting human wellbeing, efficiency and safety at the centre of all our designs. Come, see the future with us. It is getting lit.

# COLD STORAGE FACILITY FOR HOT TROPICAL INDIAN WEATHER

**The dairy and meat industries are heavily reliant on cold storage**

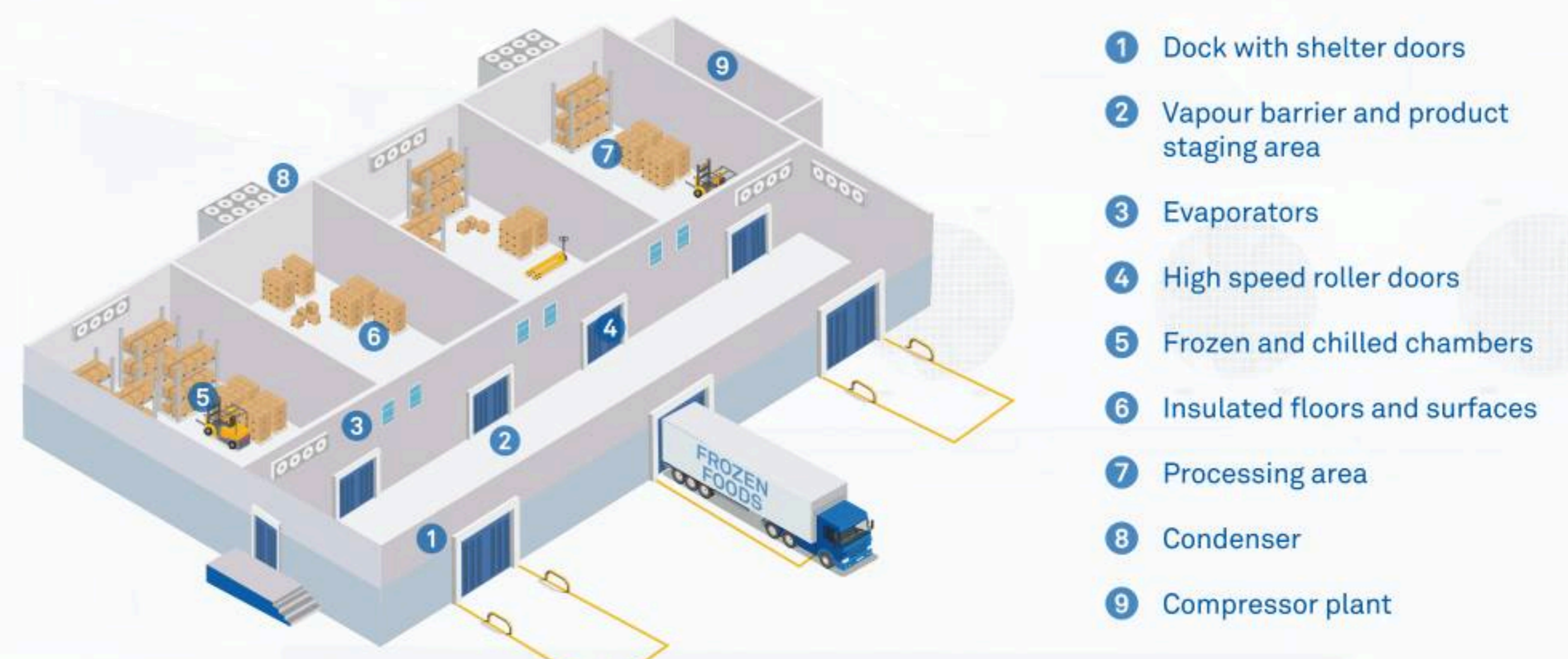
**India is the 2<sup>nd</sup> largest food producer and 6<sup>th</sup> largest F&G market globally**

**India is the 3<sup>rd</sup> largest producer of generic medicines globally**

**Upto 20% of fruit and vegetable stocks are lost due to improper storage**

**More than half the world's supply of vaccines come from India**

**At least 25% of medical supplies expire before reaching the medical facilities**



## EFFICIENT COLD STORAGE KEY TO BUSINESS SUCCESS

**Reduces wastage**

**Retains quality**

**Increases shelf life of perishables**



**FROSTLINE**  
**AN INDUSTRY FIRST**  
**COLD STORAGE LIGHTING SOLUTION**

India's hot tropical weather demands efficient cold storage solutions for the business success of pharmaceutical, food and agricultural industries. **Cold chain network plays a vital role in improving shelf life, reducing wastage and retaining quality besides empowering distribution channels.**

Wipro Lighting brings the latest technological innovations, design excellence and expertise in tailor-made lighting solutions to the world of cold storage.

Presenting **Frostline**. The first ever range of specialized lighting solutions for cold storage facilities. **Frostline lighting is designed to perform exceptionally well in extremely low temperatures, while optimizing chiller effectiveness.** Not just to protect the perishables, but businesses too.





## COLD STORAGE CHALLENGES



### REGULATING TEMPERATURES

Cold storage facilities need regulated temperatures at all times. Door systems, partition/insulating material, lighting fixtures and other factors impact the temperature inside.



### HIGH ENERGY COSTS

Energy cost of refrigeration is the biggest contributor to operating costs.



### UNSAFE ENVIRONMENT

Extreme temperatures and refrigerant vapours are potentially hazardous. They affect visibility, hamper productivity and pose a threat to safety.



### MAXIMIZING PRODUCTIVITY

Inefficient floor plans and lighting breakdowns can disrupt operational productivity.

Therefore, it is important for all utilities to be energy and cost efficient, while enhancing safety and productivity for the operators.



## FROSTLINE

## THE COLD STORAGE SPECIALIST

The **Frostline** range of lighting solutions for cold storage facilities is the perfect companion to chiller effectiveness. The only dedicated range of lighting for cold storages, **Frostline** delivers superior optical performance where it matters. With the ease of installation and a long service life, **Frostline** is the best way to master the cold.



Works in ambient temperatures from -20°C to +25°C



Waterproof, moisture-proof and corrosion-free



Helps in optimizing energy consumption and costs

## FROSTLINE BENEFITS



### ENHANCES CHILLER EFFECTIVENESS

- Duality of light helps balance temperature and provide optimum light levels
- Superior thermal management to generate less heat
- Complements chiller effectiveness through energy optimization

### REDUCES OPERATIONAL COSTS

- High efficacy luminaire



### VISUAL COMFORT AND SAFETY

- Glare free and uniform lighting
- Optimum illumination
- Reduces picking-errors thereby increasing productivity
- Uninterrupted lighting to minimize work related accidents

### HIGH ON DURABILITY AND EASE OF INSTALLATION

- Lightweight luminaires reduce dead load on ceiling
- Corrosion resistant



## THE FROSTLINE RANGE

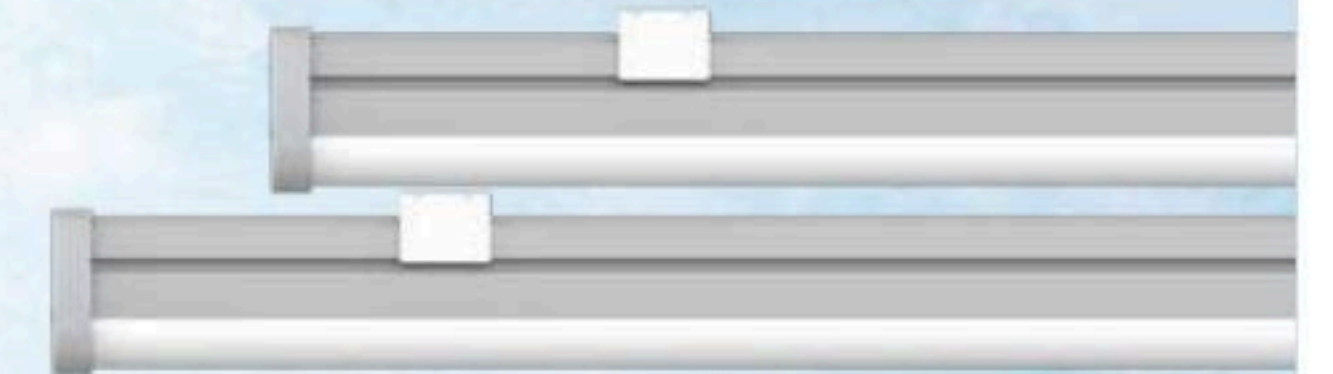
### RADIAL UNO HIGHBAY

- Works in ambient temperatures from  $-30^{\circ}\text{C}$  to  $+45^{\circ}\text{C}$
- Long service life of 100000 hours @ L70B50
- Innovative Aeroflo design guarantees excellent thermal management



### IMPERIA INDUSTRIAL LINEAR

- Works in ambient temperatures from  $-25^{\circ}\text{C}$  to  $+25^{\circ}\text{C}$
- Long service life of 75000 hours @ L70B50
- Slim, sleek & best-in-class, energy efficient LED luminaire with its unique feature of co-extruded body gives it a seamless look



### DURA WELLGLASS

- Works in ambient temperatures up to  $-30^{\circ}\text{C}$
- Rugged and robust construction



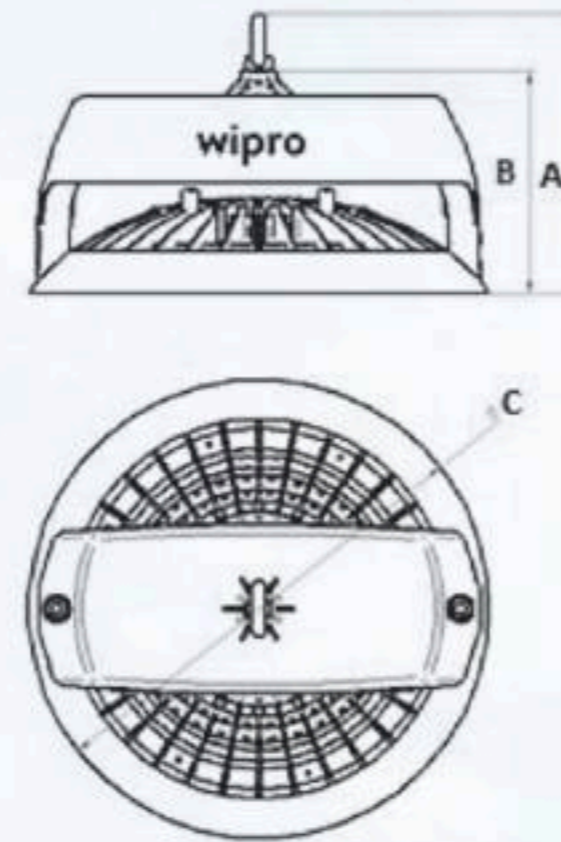
### BULKHEAD

- Works in ambient temperatures up to  $-20^{\circ}\text{C}$
- Compact and lightweight



## RADIAL UNO FROSTLINE LH21

### PRODUCT DIMENSIONS & MOUNTING DETAILS



Product Wattage (W)	A (mm)	B(mm)	C (mm)
80/100/120	166	132	Ø272
150/180/200	174	124	Ø340

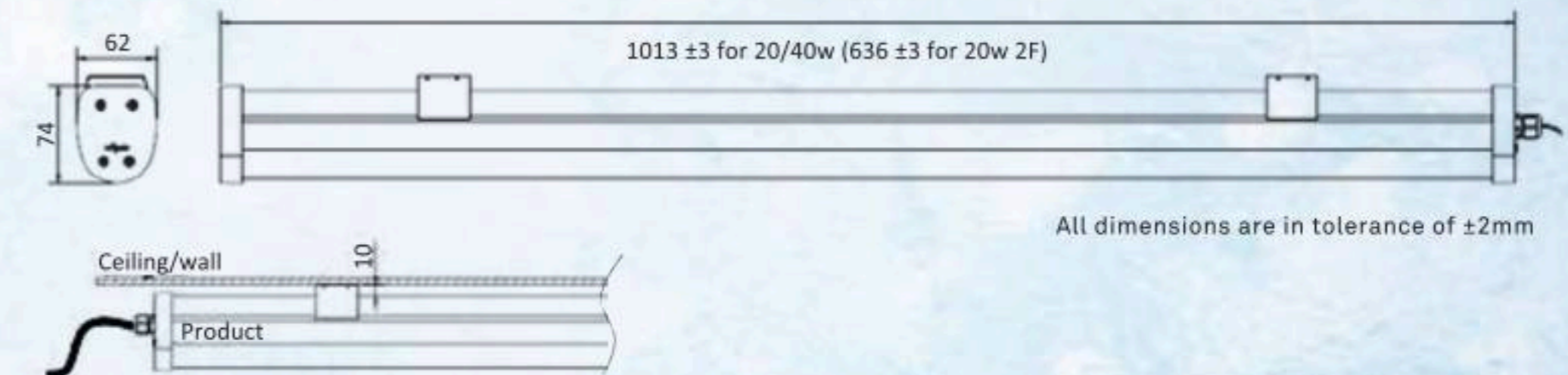
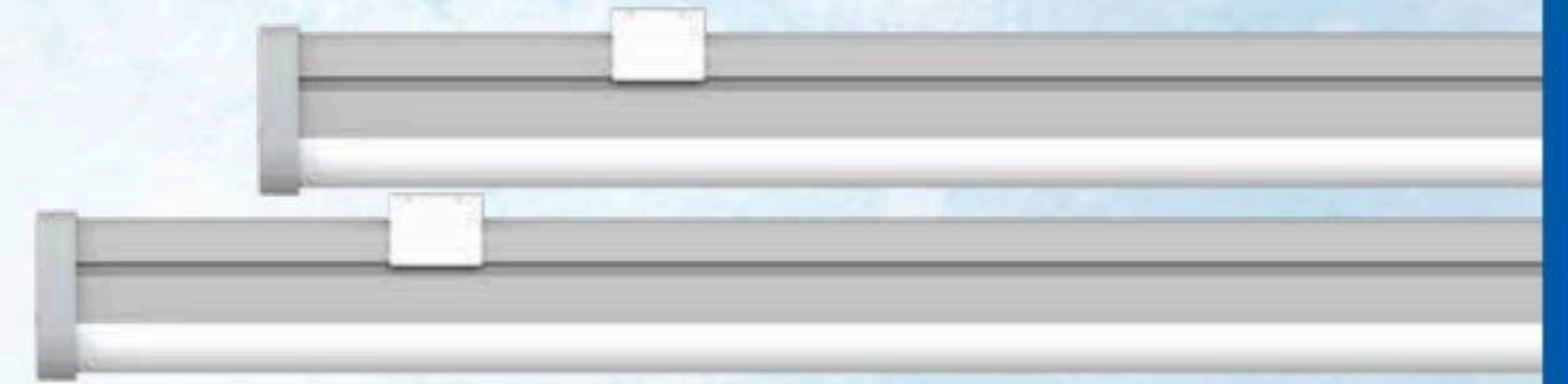
All dimensions are in tolerance of ±5mm

### ELECTRICAL DATA

Sr No.	Product Code	System Wattage (W±10%)	Rated Voltage (V)	Mains Current (A)	Unit Weight (Kg±0.25)	Case Lot (Nos)
1	LH21FL-102-90-57X1	80	240	0.35	3	1
2	LH21FL-122-90-57X1	100	240	0.44	3.3	1
3	LH21FL-152-60-57X1	120	240	0.53	3.3	1
4	LH21FL-182-60-57X1	150	240	0.65	4.1	1
5	LH21FL-222-60-57X1	180	240	0.73	4.1	1
6	LH21FL-252-60-57X1	200	240	0.8	4.1	1

## IMPERIA FROSTLINE LE23

### PRODUCT DIMENSIONS & MOUNTING DETAILS



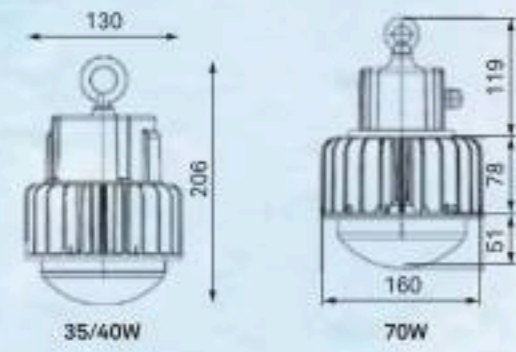
All dimensions are in tolerance of ±2mm

### ELECTRICAL DATA

Sr No.	Product Code	System Wattage (W±10%)	Rated Voltage (V)	Mains Current (A)	Unit Weight (Kg±0.25)	Case Lot (Nos)
1	LE23FL-491-XX-57XX	40W	240	0.17	2.2	8
2	LE23FL-251XX-57-2F	20W	240	0.09	0.7	8

# DURA WELLGLASS FROSTLINE LE07

## PRODUCT DIMENSIONS & MOUNTING DETAILS



All dimensions are in tolerance of ±2mm

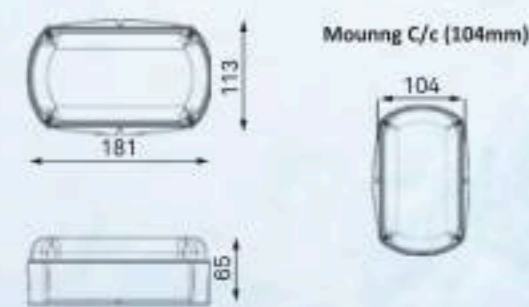


## ELECTRICAL DATA

Sr No.	Product Code	System Wattage (W±10%)	Rated Voltage (V)	Mains Current (A)	Unit Weight (Kg±0.1)	Case Lot (Nos)
1	LE07FL-501-XX-57XX	35W	240	0.16	1.5	4
2	LE07FL-571-XX-57XX	40W	240	0.17	1.5	4
3	LE07FL-112-XX-57XX	70W	240	0.3	1.8	4

# BULKHEAD FROSTLINE LW07

## PRODUCT DIMENSIONS & MOUNTING DETAILS



All dimensions are in tolerance of ±2mm



## ELECTRICAL DATA

Sr No.	Product Code	System Wattage (W±10%)	Rated Voltage (V)	Mains Current (A)	Unit Weight (Kg±0.1)	Case Lot (Nos)
1	LW07FL-141-XX-57G1	10W	240	0.04	0.45	16

# APPLICATION AREAS



Food & Beverages



Pharmaceuticals



Warehousing

## LOWEST TOTAL COST OF OWNERSHIP

