

## Other Industrial Geniuses



### wipro advantage



**Registered Office:** Wipro Enterprises (P) Ltd. 'Wipro House', No. 8, 7th Main, 80 Feet Road, Koramangala, 1st Block, Bangalore 560034, Karnataka, India.  
**Business Office:** Wipro Lighting, 5th Floor, Godrej Eternia - C, Old Pune-Mumbai Highway, Shivajinagar, Pune 411005, India. (T) 020 66098700, (F) 020 66098777



[www.wiprolighting.com](http://www.wiprolighting.com) | Toll free no: 1800 425 1969 | [helpdesk.lighting@wipro.com](mailto:helpdesk.lighting@wipro.com)

Follow us on: [in](#) [t](#) [f](#) [i](#) [v](#)

**Branches:** Ahmedabad | Bangalore | Baroda | Bhubaneshwar | Chandigarh | Chennai | Cochin | Coimbatore | Hyderabad | Indore | Jaipur | Kolkata | Lucknow | Mumbai | Nagpur | New Delhi | Pune | Raipur | Vishakhapatnam

Innovation and improvement are a way of life at Wipro. All rights reserved. Reproduction of this data in parts or in whole, without permission, is prohibited. Care has been taken to ensure that the information content within is correct. We reserve the right to modify the product without prior intimation. Imitation of Registered Designs is a punishable offence.



# Maxx Wellglass

Revolutionary design to redefine industrial spaces

# 30 years of Wipro Lighting

Celebrating a journey that is now defining the future of lighting

At Wipro, innovation is in our DNA. Our leading-edge technology and customer-centric approach come together to provide intelligent lighting solutions across segments such as manufacturing, healthcare, outdoor, offices and much more. Recognized globally for thought-leadership and expert solutions, Wipro Lighting has been leading the category with excellence for the last 30 years!



## Making Industries Intelligent

It's a world of smart factories and smarter solutions. Wipro Industrial Lighting 4.0 impacts businesses by helping users automate manufacturing tasks, maximize productivity and optimize costs. As pioneers of award-winning solutions, Wipro Lighting 4.0 enables industrial setups to become more sustainable, by putting human wellbeing, efficiency and safety at the centre of all our designs. Come, see the future with us. It is getting lit.



## Maxx Wellglass

Maxx out productivity. Minimize inefficiencies.


Heavy duty industries such as cement, metals, and power plants operate in extremely harsh conditions. Their dusty environment and high ambient temperature, makes thermal management of LED fixtures more critical and challenging. And therefore, demand specially designed luminaires to deliver reliable and superior performance under such tough conditions, consistently.

Introducing Maxx Wellglass. A complete revolution in design that transforms industrial spaces. It comes with a unique innovation in technology and form factor like never before, designed to deliver optimum performance and provide uniform and wider light distribution. Get ready to embrace a new era of lighting and say goodbye to frequent maintenance and replacements!



# Maxx thermal performance



  
Driver compartment  
isolated from  
the light engine



  
Reduces  
hot spots



Electronic  
components  
kept cool

# Maximum life Minimum maintenance

  
1,00,000  
HOURS  
@L70B50

## ULTRA-LONG LIFE

A lifespan like never before!  
Say goodbye to frequent maintenance  
and replacements!



## HIGHER DURABILITY

- IP66 rated
- IK08 impact resistant
- Robust construction
- Corrosion resistant pure polyester powder coating
- Pressure die-cast aluminium housing

  
APPLIED FOR  
DESIGN REGISTRATION



## MINIMUM MAINTENANCE

- High specification potted IP65 driver
- Internal 4KV surge protection
- Inline IP65 10KV SPD for additional protection (optional)



## EASY & FLEXIBLE INSTALLATION

- Cradle mounting
- Company fitted eye-bolt mounting

# Maxx optical performance

UP TO  
**115**  
LUMENS  
PER WATT



SPECIALLY DESIGNED  
**FRESNEL LENS**



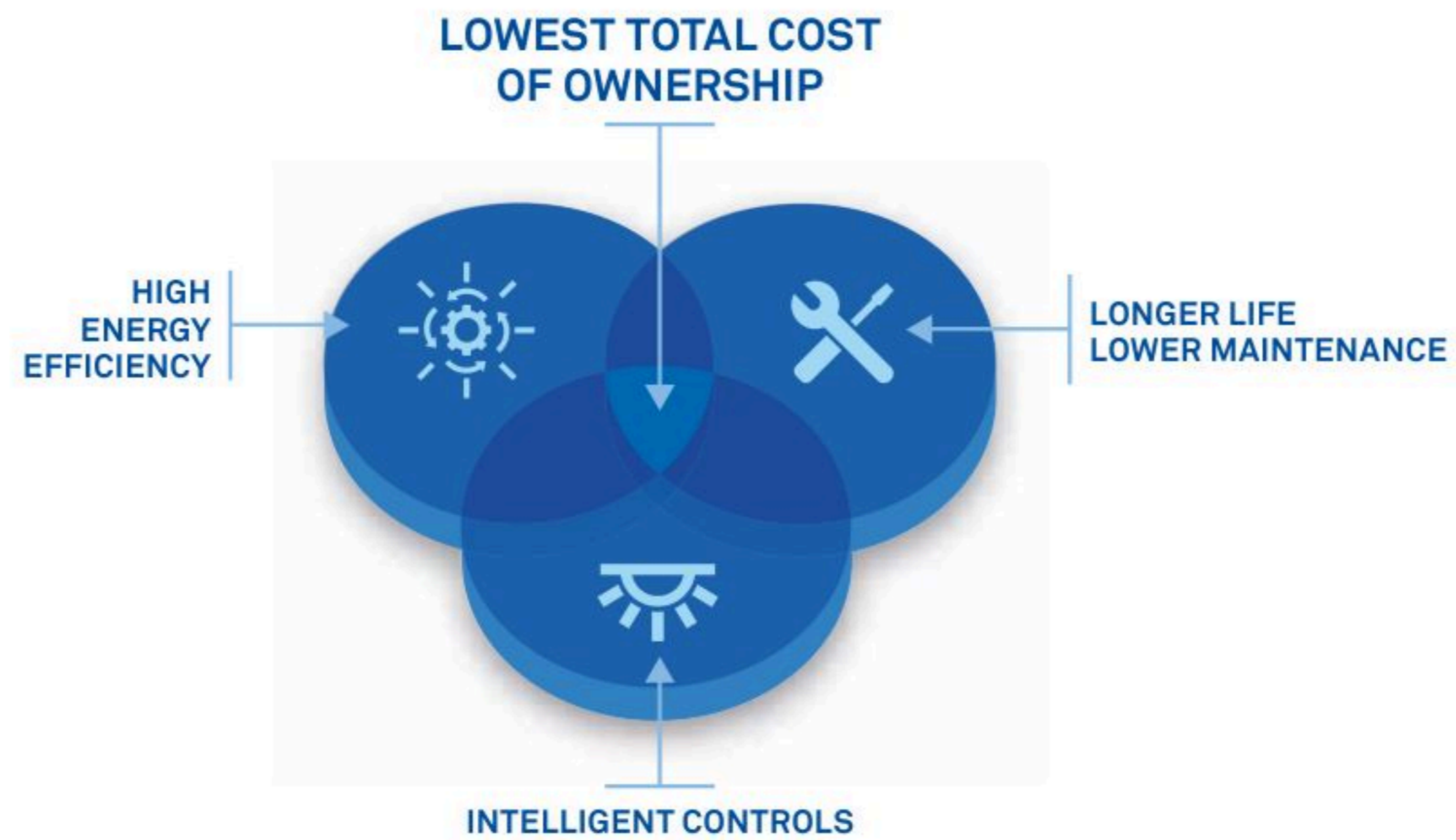
Uniform and  
glare-free lighting



Minimizes  
light loss



Wider light  
distribution



## Applications



Heavy  
Industry



Metals & Minerals  
Industry



Cement  
Industry



Power  
Plant

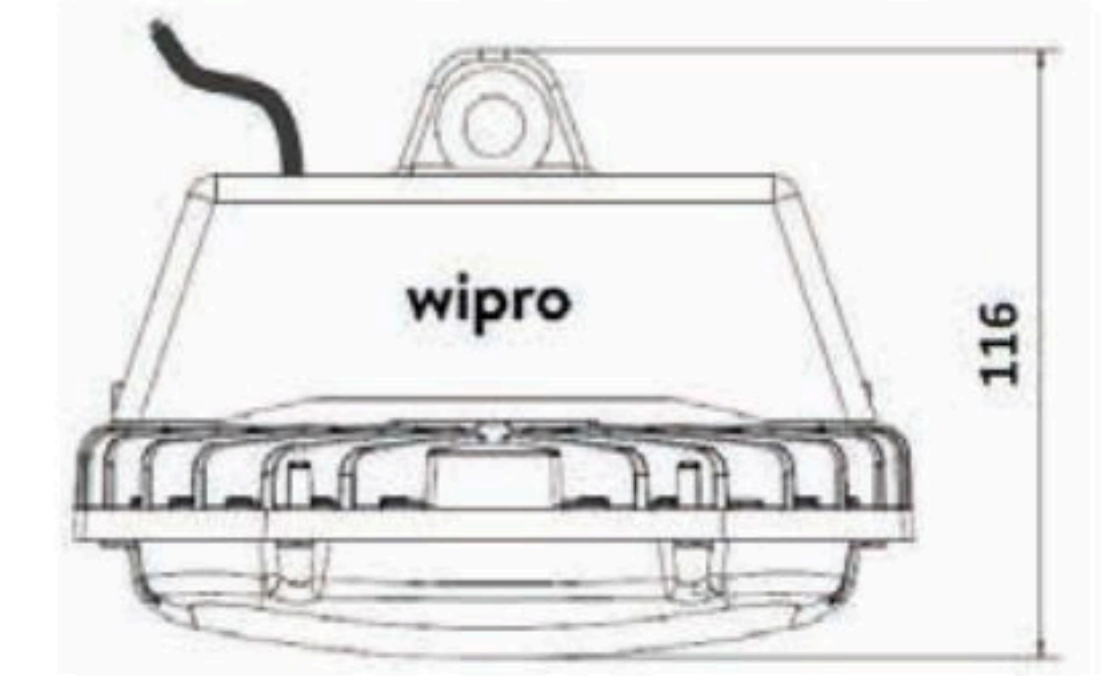
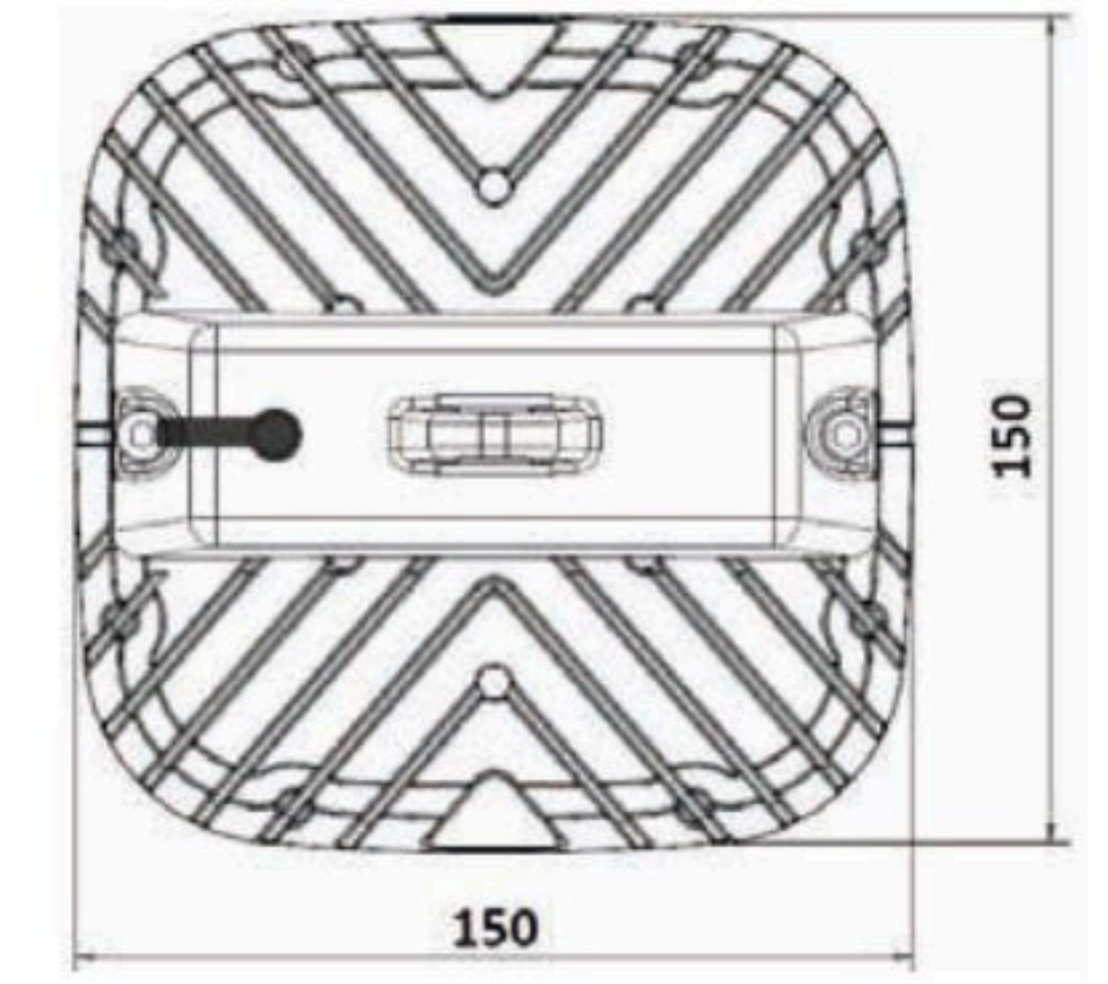
# Product specifications

**80%**  
higher savings  
over the lifetime  
of Maxx

## Electrical data

Product Main Code	System Wattage +/-10%	Rated Voltage (V)	Mains Current (A)	Case Lot (Nos)	Unit Weight (kg)+/-0.25	Lumens
LE09-501-XXX-57-XX	35W	240	0.16	8	1.0	4200
LE09-571-XXX-57-XX	40W	240	0.17	8	1.0	4820
LE09-671-XXX-57-XX	55W	240	0.24	8	1.0	7090

Also available with cradle mounting option. To choose, please replace 'XX' with 'CD' in the above codes.



All dimensions are in mm. Tolerance +/-2.