



INDUSTRY 4.0 READY



Radial UNO

EFFICIENT • DISTINCT • VERSATILE

Enhancing Performance
Improving Productivity

Wipro Lighting

Presenting **RadialUNO** - Designed to deliver optimum performance under harsh industrial environment to provide significant & sustained energy savings over the product life cycle resulting in enhanced productivity & safety.



LH21

With specially designed High Transmittivity Lens
to deliver an exceptional optical performance



FACTORY



FOOD & BEVERAGES



WAREHOUSE

LH21G



With Glass

to enable easy cleaning in a dusty environment



CEMENT
FACTORY



TYRE
FACTORY



STEEL
FACTORY



POWER
PLANT

LH21R



With Reflexor

to add a dash of aesthetics to the indoor spaces



SUPER
MARKETS



AIRPORT



INDOOR
STADIUMS

Aeroflo® design

The innovative **Aeroflo®** design facilitate free flow of air through the die casted aluminium housing keeping heat away from the optics and electrical components ensuring excellent thermal management.



High efficacy LEDs with superior optics delivering **130 Lumens/ Watt** system efficacy



Specifications



100000 Hrs. @ L70B50



Robust IP66 Construction



Highly efficient, Crisp, Uniform, and Low-glare illumination



Ease of Installation with factory fitted Eye Bolt



IP67 Potted Driver with

- Over Voltage & Low Voltage Protection with auto recovery
- Over temperature protection
- 4 KV Surge Protection
- Short circuit and Reverse Polarity Protection
- THD<10%
- 440V Operations for 8 Hrs.



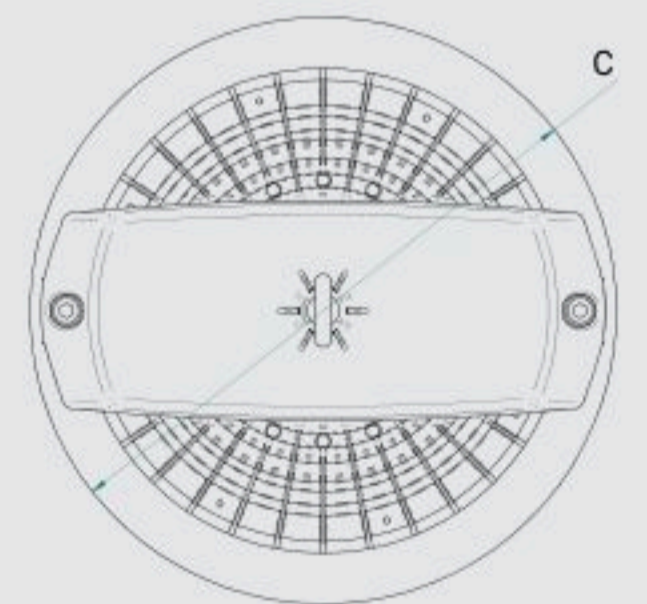
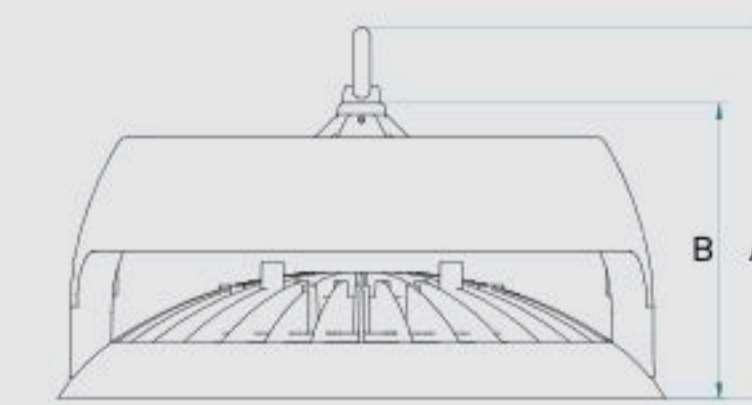
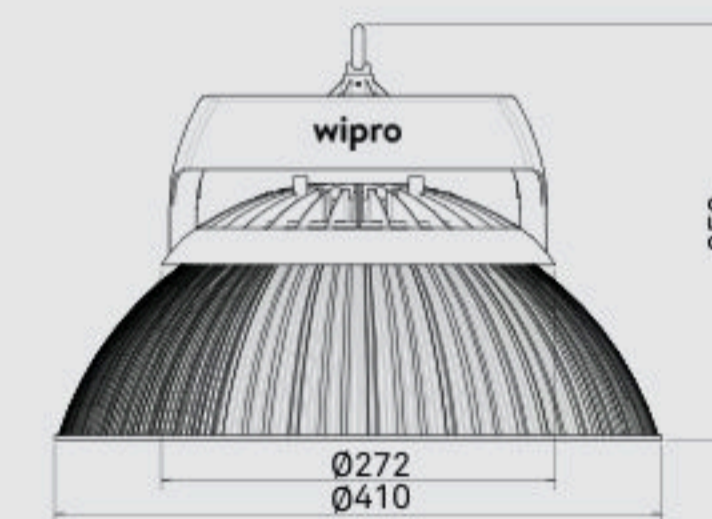
Ultra Long Service Life of 100000 Hrs. @ L70B50



The driver compartment is isolated from the housing insulating driver from heat

Product Dimensions

All dimensions are in tolerance of +/-5mm



Electrical and Mounting Data

WIPRO Cat No.	System Wattage (W) +/-10%	Rated Voltage (V)	Mains Current (A)	Weight (kg) +/- 0.25kg	A (mm)	B (mm)	C (mm)
LH21-122-060-57-XX	80	240	0.35	2.8	166	132	Ø272
LH21-162-060-57-XX	100	240	0.44	3	166	132	Ø272
LH21-192-060-57-XX	120	240	0.53	3.3	166	132	Ø272
LH21-222-060-57-XX	140	240	0.61	3.6	174	124	Ø340
LH21-262-060-57-XX	160	240	0.7	3.6	174	124	Ø340

Also available in 90 degree beam angle. Replace 060 with 090 in the above Catalogue nos. for 90 degree.
Available with glass option. Replace LH21 with LH21G in the above Catalogue nos. for glass option.
Available with reflexor option only in 80W, 100W and 120W. Replace LH21 with LH21R in the above Catalogue nos. for reflexor option.

HIGH EFFICIENCY

HIGH PRODUCTIVITY & EMPLOYEE SAFETY

LOWER OPERATIONAL COST

LOW MAINTENANCE



INDUSTRY 4.0 READY for Smart Factory

Connecting the factory floor to Internet of Things allows humans and machines to communicate with one another and work as one unified team. With Industry 4.0 manufacturers can gather and analyze real time data to identify patterns and insights so decisions can be made quickly and efficiently increasing productivity and Overall Equipment Effectiveness.

The **Radial UNO** easily integrates with Intelligent Controls & Sensors, Dimming solutions (DALI/ Analogue) and IOT based solutions further enhancing the safety, productivity and the total cost of ownership.



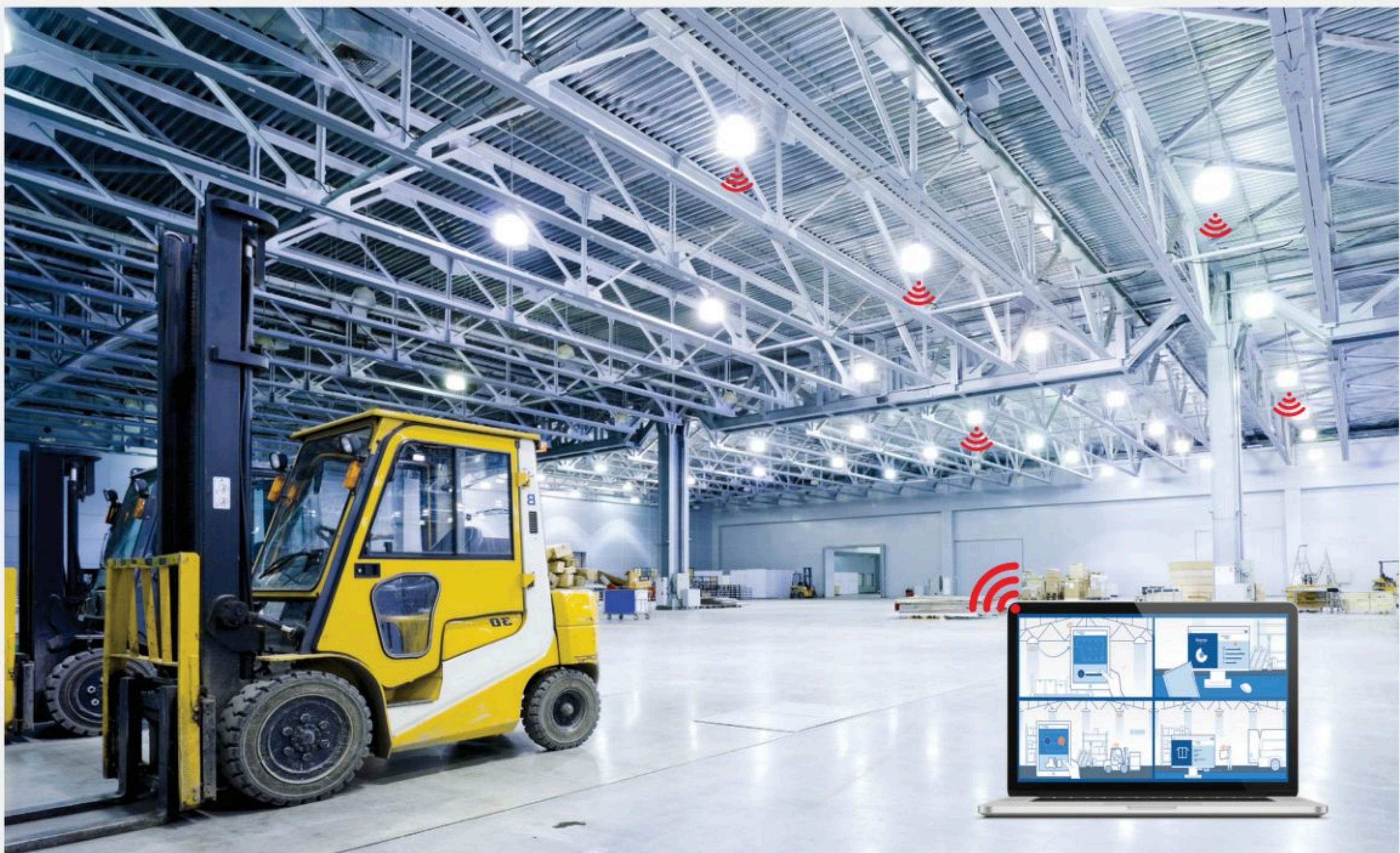
Intelligent Controls -
Wired & Wireless



Time based Scheduling/
Motion Based Control/
Day light harvesting



Asset Tracking and Stocking



WIPRO LIGHTING ADVANTAGE

- 25 years of Design Excellence
- Service commitment – 19 branches and over 400 stockists
- Dedicated service network across the country
- Trustworthiness and Reliability of Wipro
- Ease of contact through toll free helpline



New Delhi: 011-41708121/29,
Bangalore: 080-41503260,
Hyderabad: 040-27176082,
Lucknow: 0522-2434352,
Indore (MP): 9827999668,
Coimbatore: 1800-425-1969,
Cochin: 1800-425-1969.

Mumbai: 022-62182000,
Kolkata: 033-44045886/87,
Chandigarh: 0172-50018734,
Baroda: 0265-2395830/35/36/41/45,
Raipur (CG): 0771-3265725,
Nagpur: 0712-2569878,

Chennai : 1800-425-1969,
Pune: 020-25535081,
Jaipur: 1800-425-1969,
Ahmedabad: 079-40073546,
Bhubaneshwar: 1800-425-1969,
Vijaywada: 9630047345,

Business Office:

Wipro Lighting, 5th floor, Godrej Eternia - C, Old Pune-Mumbai Highway,
Shivajinagar, Pune - 411 005.
Tel.: 020-66098700, Fax: 020-66098777, E-mail: helpdesk.lighting@wipro.com

Registered Office:

Wipro Enterprises (P) Limited, 'C' Block, CCLG Division, Doddakannelli,
Sarjapur Road, Bangalore - 560035, India.



www.wiprolighting.com

Toll-free no: 1800-425-1969

Follow us on     