

30+ YEARS OF WIPRO LIGHTING



GLEAMLINE

THE HIDDEN BRILLIANCE

wipro advantage

30+ years of expertise in lighting

18 branches across india

Customized solutions

PAN India after-sales support



www.wiprolighting.com | Toll free no: 1800 425 1969 | helpdesk.lighting@wipro.com

Registered Office: Wipro Enterprises (P) Ltd. 'Wipro House', No. 8, 7th Main, 80 Feet Road, Koramangala, 1st Block, Bangalore 560034

Business Office: Wipro Lighting, 5th Floor, Godrej Eternia-C, Old Pune-Mumbai Highway, Shivajinagar, Pune 411005 (T) 020 66098700, (F) 020 66098777



Branches: Ahmedabad | Bangalore | Bhubaneshwar | Chandigarh | Chennai | Cochin | Coimbatore | Hyderabad | Indore | Jaipur | Kolkata | Lucknow | Mumbai | Nagpur | New Delhi | Pune | Raipur | Vishakhapatnam

Innovation and improvement are a way of life at Wipro. All rights reserved. Reproduction of this data in parts or in whole, without permission, is prohibited. Care has been taken to ensure that the information content within is correct. We reserve the right to modify the product without prior intimation. Imitation of Registered Designs is a punishable offence.



INNOVATION FOR HUMAN SPACES

Gleamline embodies innovation for human spaces. It redefines how lighting integrates into environments - not just to illuminate, but to enhance well-being, comfort, and design. Seamlessly merging optical efficiency with contemporary elegance, Gleamline stays hidden in plain sight while delivering an experience that's human-centric in every way. It is lighting as it should be: intuitive, unobtrusive, and extraordinarily effective.



Shadow-free illumination



Comfort for your eyes



Stable and flicker-free



Uniform light distribution



Innovative design



Future ready



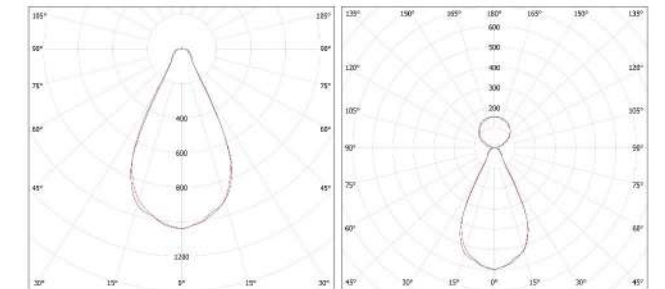


India's first indirect linear with the best modeling ratio

In this modern era, where virtual meetings are prevalent, luminaires are no longer to just light up the surface and its surrounding area. Illumination of the person's face is also equally essential. Lighting should be uniformly designed wherein no under-eye darkness or vertical shadows are visible during video conferences.

Gleamline creates a proper ratio of vertical and horizontal illumination. Up to 12% increase in vertical illumination level and up to 20% increase in vertical illuminance uniformity than the other standard linear distribution.

Volumetric soft lighting creates a better face profile



- Maximum candela: 967.1 cd
- Beam efficiency: 77%
- Field efficiency: 98%
- UGR<19
- Beam angle: 60°

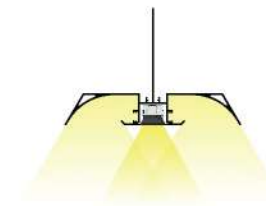


DESIGN REGISTERED

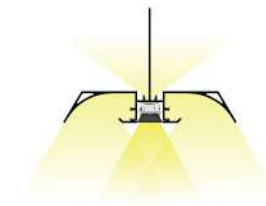
Multitude of ideas, harmoniously housed.

Gleamline is made to open up the limits of imagination. With its different optical combinations, Gleamline lights up a space the way it's meant to be. Be it a calm and relaxed ambience, or a highly productive task beam, Gleamline effortlessly provides you with an apt lighting configuration.

Direct / Indirect with Collimator



100% Downlight



Downlight + Up-light



60°
beam angle



UGR < 19
for Down



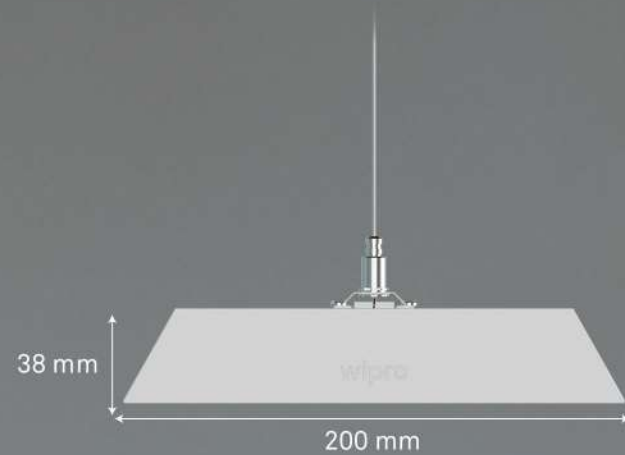
UGR < 16
for Up-Down



CRI 90

Slim and wide, distinctively designed

Gleamline's unique design draws a visual contrast of large wings accommodated in a slim, sleek luminaire. The large wings housing the light engine provides a wide light output while keeping the luminaire weight low. Its innovative design hides the light source, ensuring a shadowless light window and a uniform light gradient on the wings.



Available in standard length of 4 & 8 feet.

Suitable for:



Video
Conferencing



Meeting
Rooms



Refurbish
Applications

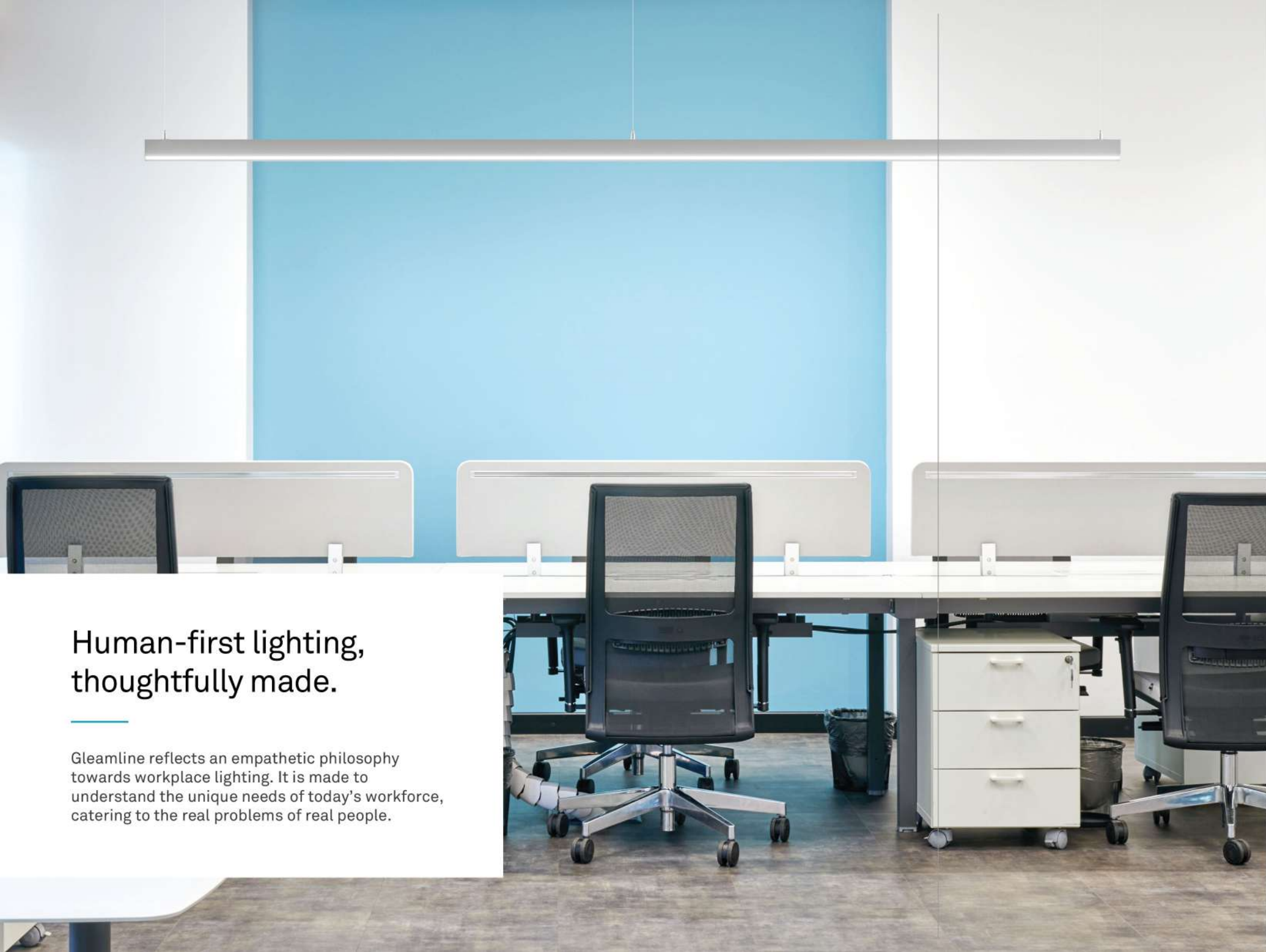


Studios



Boardrooms





Human-first lighting, thoughtfully made.

Gleamline reflects an empathetic philosophy towards workplace lighting. It is made to understand the unique needs of today's workforce, catering to the real problems of real people.

Shadow-free and well-lit

Gleamline's indirect mode of lighting minimizes glare and harsh shadows, providing an efficient, work-positive environment

Stable and flicker-free

Gleamline eliminates eye strain due to its consistent and stable light output, making it especially useful during video conferences

Uniform and balanced

Gleamline's excellent modelling ratio and high light uniformity on horizontal and vertical planes enhances the depth and detail of the illuminated area

Calm and relaxed

Gleamline's soft and soothing light output is gentle on the eyes, making it ideal for environments where people spend extended time

Compatible Wipro platforms:

iSense
Intelligent Wireless
IOT System

inSync™
Full Spectrum
Human Centric Lighting

PoE
Power over
Ethernet

Technology Compatibility:

DALI

BLE
Bluetooth Low Energy

Direct / indirect light with Collimator lens



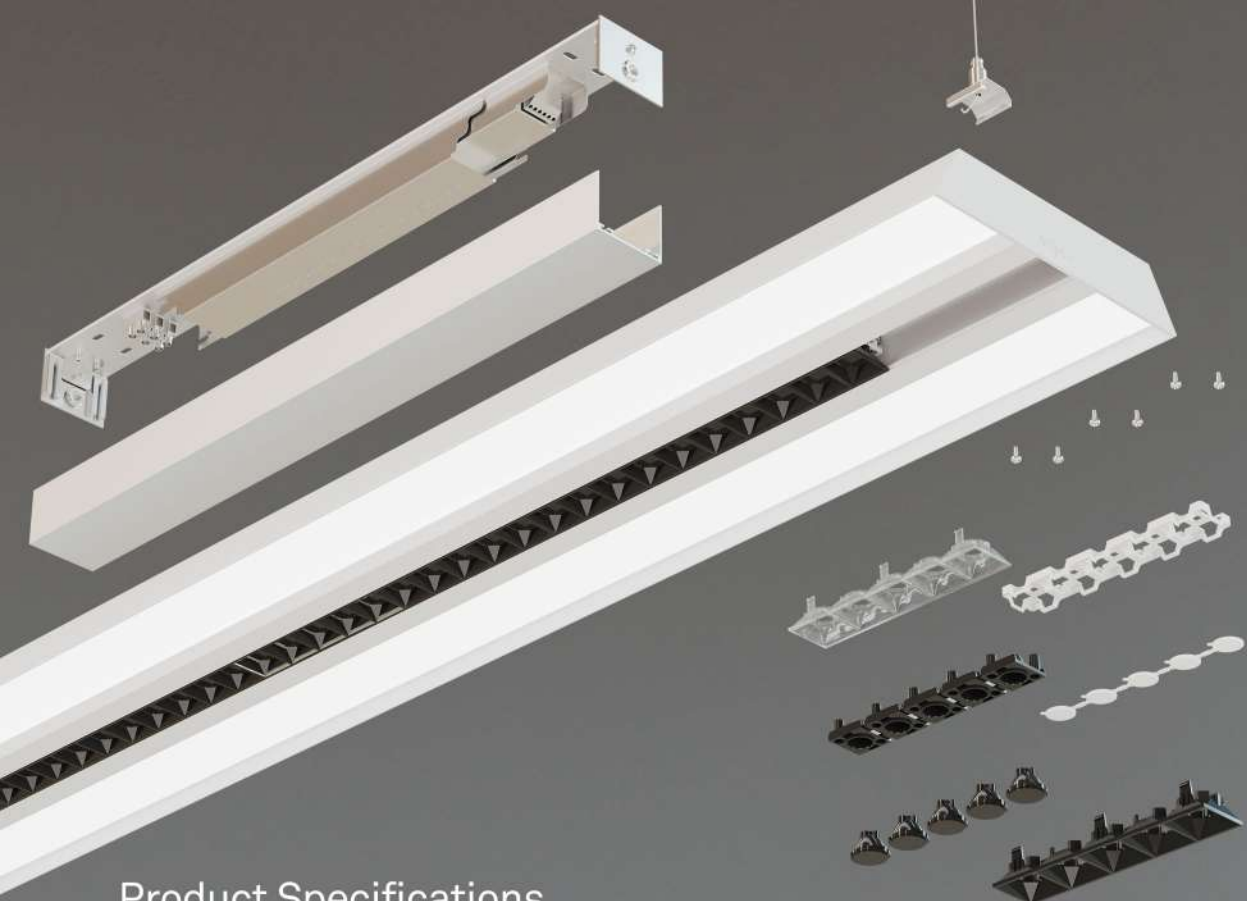
Electrical Data

Cat. No.	Variant	System wattage (W) +/- 10%	*Mains current (A)	Rated voltage (AC)	Approx. weight (Kg)	Case Lot (No.s)
LM96-451-060-57-DN	Indirect-direct Down 4ft 60°	25	0.11	240	4.4	2
LM96-451-60DA57-DN	Indirect-direct Down 4ft 60° Dali	25	0.11		4.4	
LM96-901-060-57-DN	Indirect-direct Down 8ft 60°	50	0.22		8.4	
LM96-901-60DA57-DN	Indirect-direct Down 8ft 60° Dali	50	0.22		8.4	
LM96-501-060-57-UD	Indirect Up Down 4ft 60°	30	0.13		4.6	
LM96-501-60DA57-UD	Indirect Up Down 4ft 60° Dali	30	0.13		4.6	
LM96-102-060-57-UD	Indirect Up Down 8ft 60°	60	0.26		8.6	
LM96-102-60DA57-UD	Indirect Up Down 8ft 60° Dali	60	0.26		8.6	

- "060" stands for Symmetric Collimator 60° Beam Angle
- "57" represents 5700K. Replace with "40" for 4000K CCT
- "DN" stands for Down Light, "UD" stands for Up-Down Light
- "DA" stands for product with Dali driver
- *Mains current will have tolerance as per IS 16104: 2012
- Suspended codes to be ordered separately



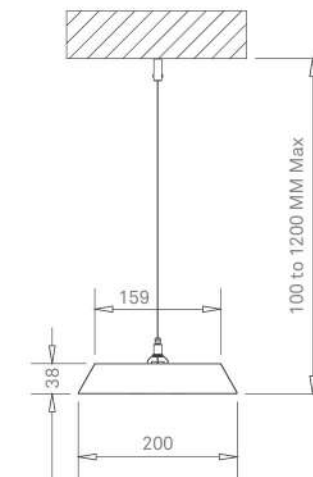
Continuous installations with connectors



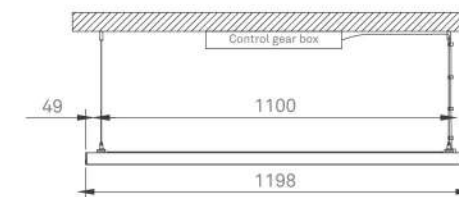
Product Specifications

- Extruded Aluminium housing and die casted endcaps duly powder coated in matt white
- Suitable for standalone and continuous row installations
- Driver is pre-wired up to terminal block. Integral driver for indirect and external driver box for direct/indirect with collimator
- Provision for loop in loop out for ease of wiring

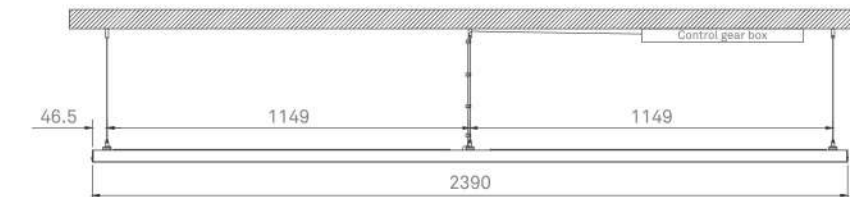
Product Dimensions



4ft Direct/Indirect with Collimator



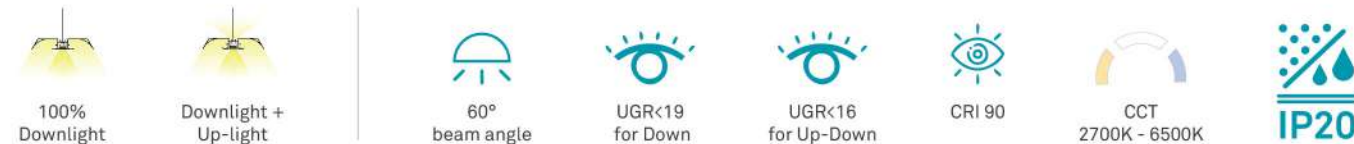
8ft Direct/Indirect with Collimator



Installation: Desired suspension system to be ordered separately as indicated below

Product Length	Cat No.	Description	Suspension Qty. in one set	Suspension set required per luminaire
1200 mm	LMX961	1.5 mtr. Suspension suitable for installation on RCC ceiling	2	1
2400 mm	LMX962	1.5 mtr. Suspension suitable for installation on RCC ceiling	3	1

Direct / Indirect with Collimator



Compatible Wipro Platforms



Technology Compatibility

