

WIPRO LIGHTING ADVANTAGE

- 25 years of Design excellence
- Service commitment – 19 branches and over 400 stockists
- Dedicated service network across the country
- Trustworthiness and reliability of Wipro
- Ease of contact through toll free helpline



Scan the QR code to download the app

IoL®
Internet of Lighting
A Wipro Brand



STYLUS

innovative n' connected flexibility

PREMIUM LIGHTING SOLUTIONS FOR WORKSPACES

New Delhi: 011-4170 8121/29, Mumbai: 022-6218 2000, Chennai: 95660 86333, Bangalore: 080-4150 3260,
Kolkata: 033-4404 5886/87, Pune: 020-2553 5081, Hyderabad: 040-2717 6082, Chandigarh: 0172-501 8734,
Jaipur: 0141-2280 014/4910 879, Lucknow: 0522-2434 352, Baroda: 0265-2395 830/35/36/41/45,
Ahmedabad: 079-4007 3546, Indore (MP): 98279 99668, Raipur (CG): 0771-3265 725, Bhubaneswar: 0674-6450 804,
Coimbatore: 98947 95836, Nagpur: 0712-2569 878, Vishakhapatnam: 96769 08080, Cochin: 98957 08464.



Business Office

Wipro Lighting, 5th floor, Godrej Eternia - C,
Old Pune-Mumbai highway, Shivajinagar,
Pune 411 005, India.
(T) 020-66098700, (F) 020-66098777
helpdesk.lighting@wipro.com

Registered Office

Wipro Enterprises (P) Limited
'C' Block, CCLG Division, Doddakannelli,
Sarjapur Road, Bangalore - 560035, India.

www.wiprolighting.com

Toll-free no: 1800-425-1969

Follow us on [in](#) [t](#) [f](#) [i](#)

Innovation and Improvement are a way of life at Wipro. Care has been taken to ensure that the information content within is correct. We reserve the right to modify the product without prior intimation. Reproduction of this data in part or in whole without permission is prohibited. All rights reserved.

STYLUS

Flexibility is your entitlement

Straight lines, criss-cross or geometric patterns.. do it easily with Stylus

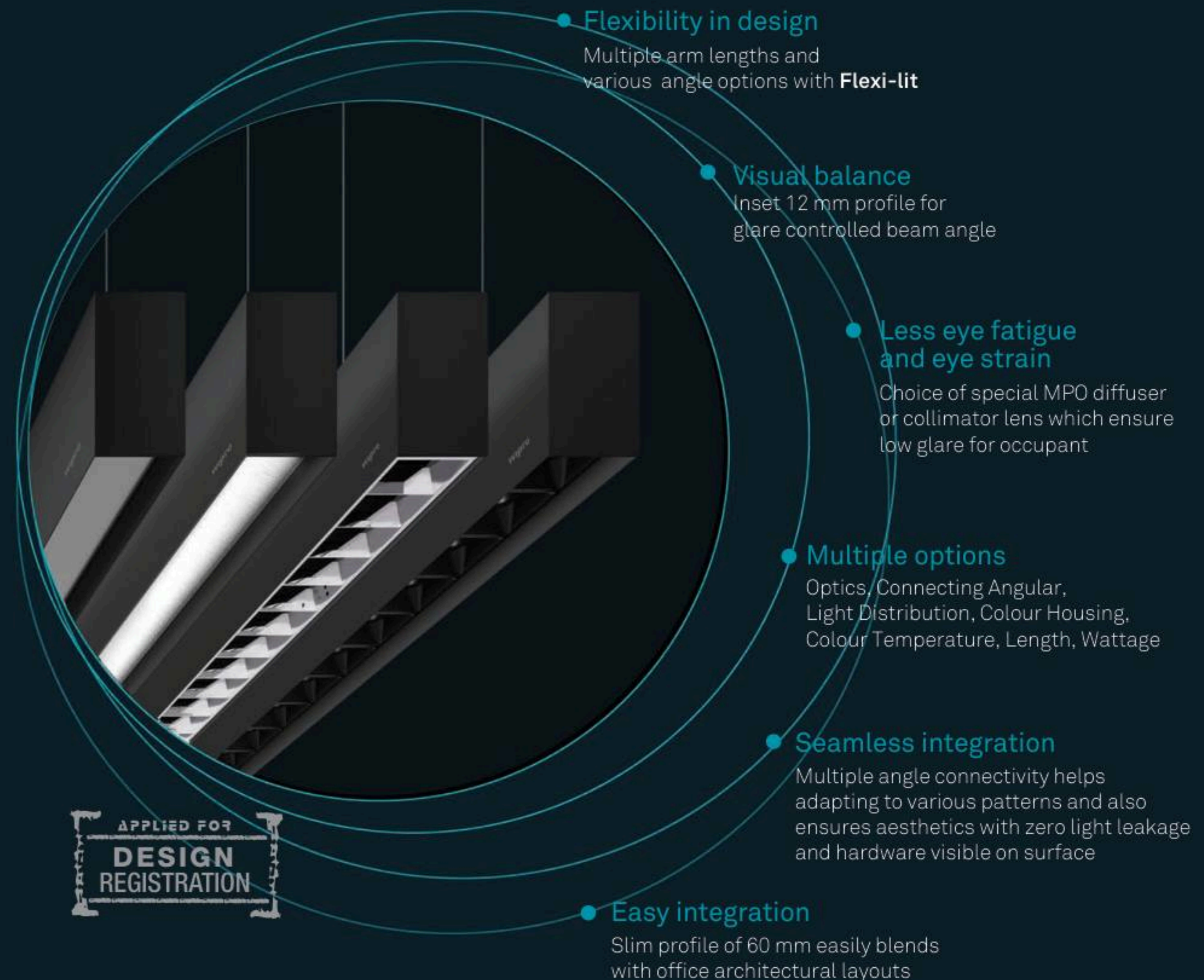




Freedom in Design

Linear profiles are best to use, when they flow with the lines in architecture. Stylus looks exciting with the **connectivity options** it offers. It does open a lot of avenues to **experiment and play with light.**

Stylus Benefits





Flexi-lit

It's a first Flexi-lit angular lighting solution with unique angle detector which offers to rotate the arms at different angles, blends well with the linear luminaire and helps in forming a desired illuminated shape and forms in space.



Nodal: Is a central downlighter with ridge to connect linear fittings with the help of end cap. Linear fitting can be swiveled from 75° to 120° angle with three arms.

Nodal

LM43-161XXX-57SDW	Stylus Nodal Downlight	1 no.
-------------------	------------------------	-------

Two Arm Connectivity

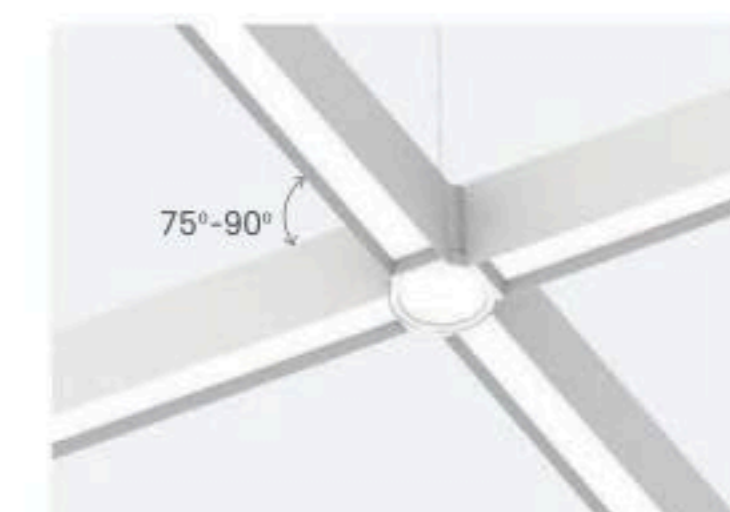
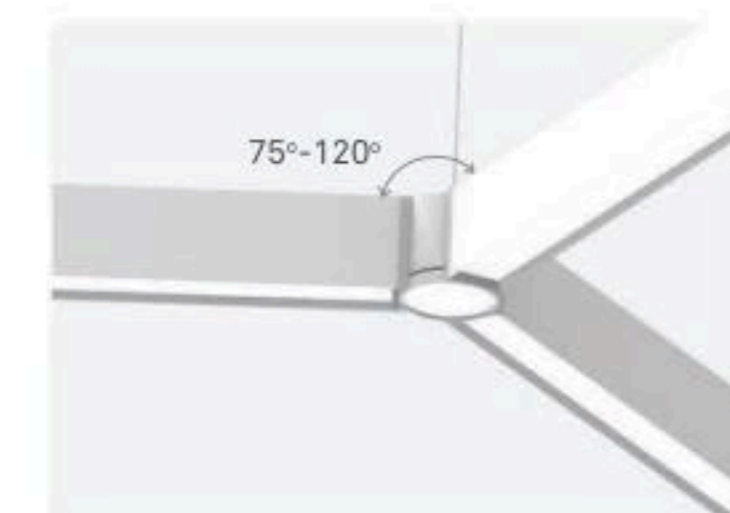
LM43-161XXX-57SDW	Stylus Nodal Downlight	1 no.
LM43M06A-MTG	End cap with Mounting Clamp, Screw	2 nos
LMX774/LM775/LM776	Suspension	1 no.

Three Arm Connectivity

LM43-161XXX-57SDW	Stylus Nodal Downlight	1 no.
LM43M06A-MTG	End cap with Mounting Clamp, Screw	3 nos
LMX774/LM775/LM776	Suspension	1 no.

Four Arm Connectivity

LM43-161XXX-57SDW	Stylus Nodal Downlight	1 no.
LM43M06A-MTG	End cap with Mounting Clamp, Screw	4 nos
LMX774/LM775/LM776	Suspension	1 no.



STYLUS

120°

Fixed Angular

90°

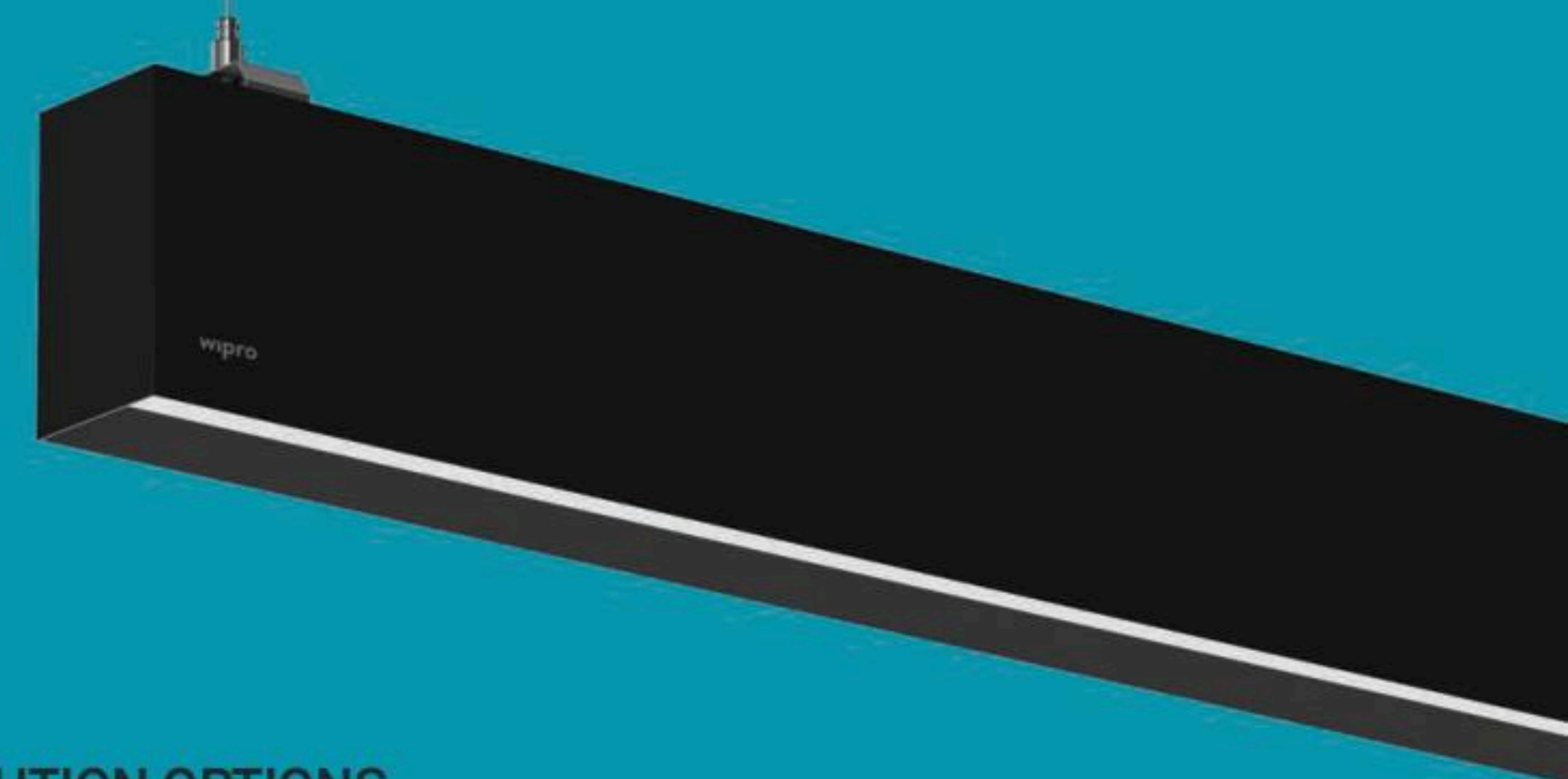
CONNECTIVITY OPTIONS

Beauty of Stylus lies in its connectivity options and the limitless design variations it opens up. The 'X', 'V', 'Y' and '+' variants of Stylus seamlessly connect the straight arms of Stylus allowing designers to explore the forms they want to experiment with.



STYLUS

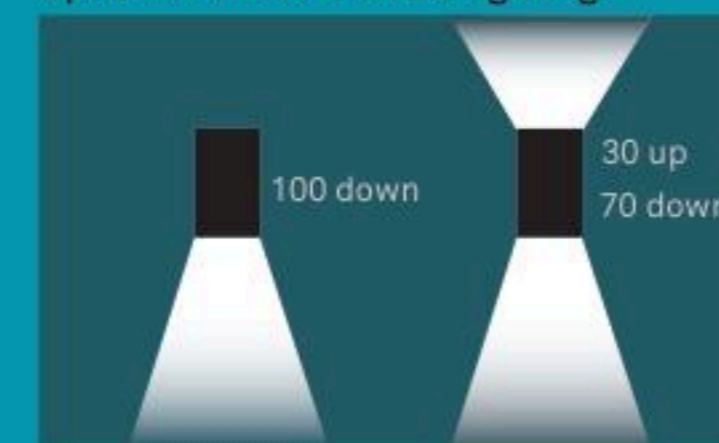
...to light up your most
creative designs



LIGHT DISTRIBUTION OPTIONS

Connectivity options in Stylus open up an array of offerings, giving designers the freedom and flexibility that we truly promise. Stylus not only offers interesting connectivity variants but also has combinations in uplight and downlight ratios, which makes using it even more interesting.

Option of direct indirect lighting



STYLUS

with louvres



- Classic look
- Visual harmony
- Wide light distribution- 80°

...for those who
love classics

LOUVRES, UGR<19

Louvres have ageless aesthetics and following. Even after decades, they are preferred by many for their efficiency and functionality. Not only do they provide adequate task-light, they also cut glare at all angles.

Option of direct indirect lighting



STYLUS

with collimator lens



...for the
critical tasks

GLARE-FREE, UGR<6

The new generation collimator lens is widely known to provide the perfect glare-free light with UGR<6. These luminaires are preferred for high performance tasks as they significantly reduce stress and fatigue of the occupants.

- High on task
- Narrow beam angle - 45°
- **Ideal for green building**

STYLUS

with micro precision optics diffuser

... for the
soft glow

SPECIALLY DESIGNED DIFFUSER, UGR<19

Linear profiles with diffuser are the most preferred options of designers today as it allows them to use light to create patterns and add life to the ceilings. It perfectly suits the currently popular open ceiling styling where the luminaire merges with the background and just the linear glow is visible.

Option of direct indirect lighting



STYLUS

Product Type	Catalogue Reference No .	Light Distribution	Wattage (W)	Length (mm)	Related Voltage(v)	Main Current (A)	Case Lot (Nos.)	Unit Weight (Kg)
Stylus with Standard Diffuser	LM43-491-XXX-57-WX	Up/Down	30	1200	240	0.131	1	3.0
	LM43-971-XXX-57-WX	Up/Down	60	2400	240	0.263	1	6.0
	LM43-321-XXX-57-WX	Down	20	1200	240	0.087	1	3.0
	LM43-651-XXX-57-WX	Down	40	2400	240	0.175	1	6.0
	LM43-451-XXX-57-WX	Down HL	30	1200	240	0.131	1	3.0
	LM43-901-XXX-57-WX	Down HL	60	2400	240	0.263	1	6.0
Stylus UGR with MPO Diffuser	LM43-491XXX-57UGWX	Up/Down UGR	30	1200	240	0.131	1	3.0
	LM43-971XXX-57UGWX	Up/Down UGR	60	2400	240	0.263	1	6.0
	LM43-451XXX-57UGWX	Down UGR	30	1200	240	0.131	1	3.0
	LM43-102XXX-57UGWX	Down UGR	60	2400	240	0.263	1	6.0
Stylus with Collimator Lens	LM43-271-045-57-WX	45° down	20	1200	240	0.087	1	3.0
	LM43-541-045-57-WX	45° down	40	2400	240	0.175	1	6.0
Stylus with Louvres	LM43-451XXX-57ALWX	Down	30	1200	240	0.131	1	3.0
	LM43-102XXX-57ALWX	Down	60	2400	240	0.263	1	6.0
	LM43-491XXX-57ALWX	Up/Down	30	1200	240	0.131	1	3.0
	LM43-971XXX-57ALWX	Up/Down	60	2400	240	0.263	1	6.0

Product Type	Catalogue Reference No .	Light Distribution	Wattage (W)	CCT	Related Voltage(v)	Main Current (A)	Case Lot (Nos.)	Unit Weight (Kg)
Stylus Angular Connectivity	LM43-801-90L57-CTW	90° L down	5	5700k	240	0.02	1	1.8
	LM43-111-90L57-CTW	90° L down	8	5700k	240	0.03	1	1.8
	LM43-801-120V57CTW	120° V down	5	5700k	240	0.02	1	1.8
	LM43-111-120V57CTW	120° V down	8	5700k	240	0.03	1	1.8
	LM43-121-120Y57CTW	120° Y down	8	5700k	240	0.03	1	1.8
	LM43-171-120Y57CTW	120° Y down	10	5700k	240	0.04	1	1.8
	LM43-161-90+57CTW	90° + down	10	5700k	240	0.04	1	1.8
	LM43-221-90+57CTW	90° + down	15	5700k	240	0.06	1	1.8
Stylus Nodal	LM43-161XXX-57SDW	Down	10	5700k	240	0.043	1	1.8

Product Detail	Catalogue Reference No .	Description	Unit /Set (Nos.)	Set reqd. /Luminaire
Stylus Arm Suspension	LMX431	1.0 mtr. suspension suitable for installation on RCC ceiling	2	1
	LMX432	1.0 mtr. suspension suitable for installation on modular grid Prelude 24 mm ceiling system	2	1
	LMX433	1.0 mtr. suspension suitable for installation on modular grid Silhouette 15 mm ceiling system	2	1
	LMX434	1.0 mtr. suspension suitable for installation on RCC ceiling	3	1
	LMX435	1.0 mtr. suspension suitable for installation on modular grid Prelude 24 mm ceiling system	3	1
	LMX436	1.0 mtr. suspension suitable for installation on modular grid, Silhouette 15 mm ceiling system	3	1
Stylus Nodal Suspension	LMX774	1.0 mtr. suspension suitable for installation on RCC ceiling	1	1
	LMX775	1.0 mtr. suspension suitable for installation on modular grid, Prelude 24 mm ceiling system	1	1
	LMX776	1.0 mtr. suspension suitable for installation on modular grid, Silhouette 15 mm ceiling system	1	1

To order luminaire:

- In Black housing, replace WX with BX in above catalogue no.
- In 4000k, replace 57 with 40 in above catalogue no.
- In Continuous variant, replace WX/BX with WC/BC in above catalogue no.
- Stylus is also available in 600mm, 900mm and 1800mm
- Contact wipro representative for required lighting solution

Dimensional drawing: as per 4 feet (1200mm)

Product name	Dim A	Dim B
Stylus	1200	1100
Stylus with MPO diffuser	1200	1100
Stylus with Collimator	1200	1100
Stylus with Louvres	1200	1100



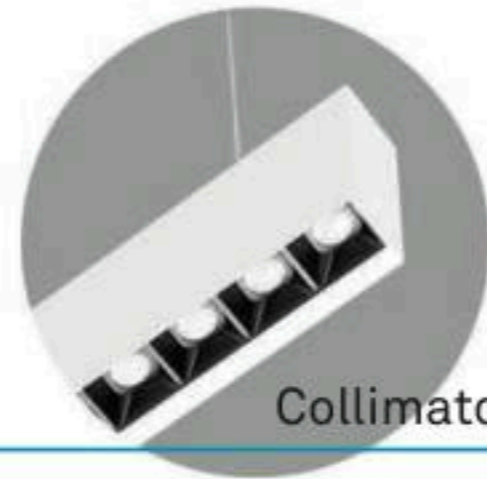
STYLUS

Options

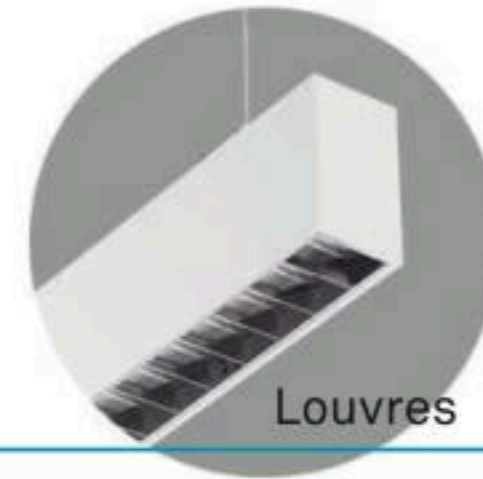
Optics



Standard diffuser



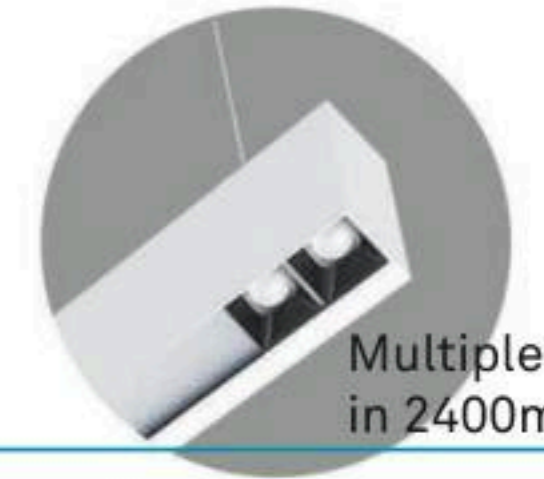
Collimator lens



Louvres



Special MPO diffuser



Multiple optics in 2400mm

Luminaire length

600 mm

900 mm

1200 mm

1800 mm

2400 mm

Wattage options

10W | 15W

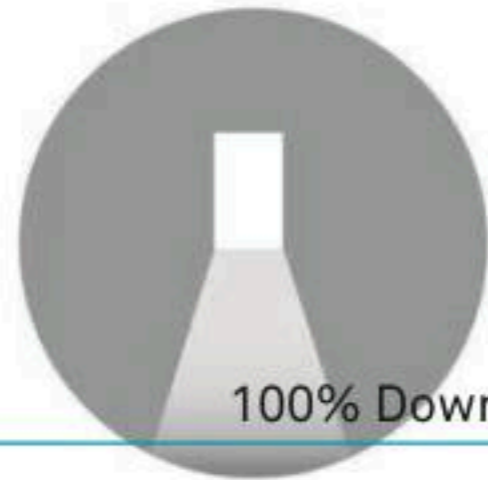
15W | 20W

20W | 30W

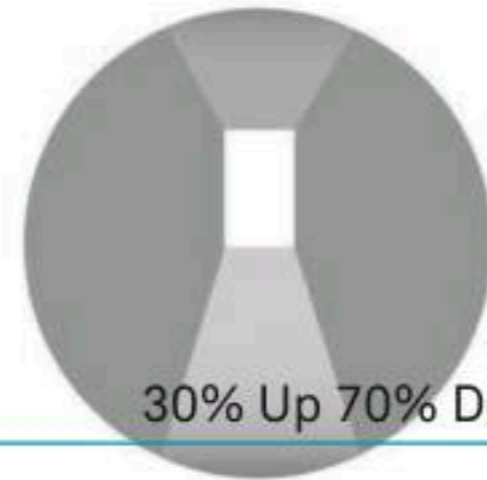
30W | 45W

40W | 60W

Light distribution



100% Down



30% Up 70% Down

Housing colour

White

Black

Angular

Flexi-lit

Fixed

Colour temperature

4000k

5700k

Available in multiple technologies



ANALOG



DALI



HUMAN CENTRIC LIGHTING



BLUETOOTH (BLE)



POWER OVER ETHERNET (PoE)