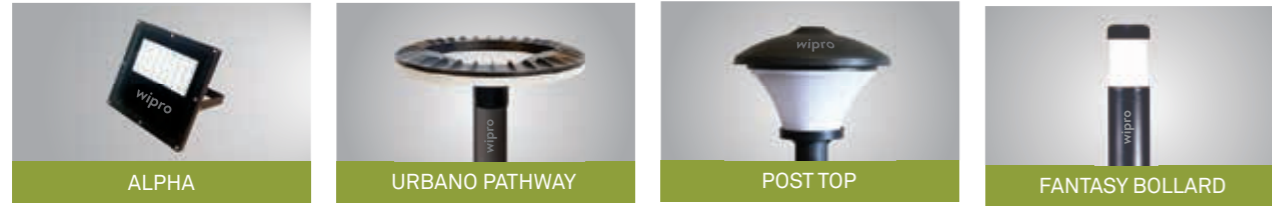


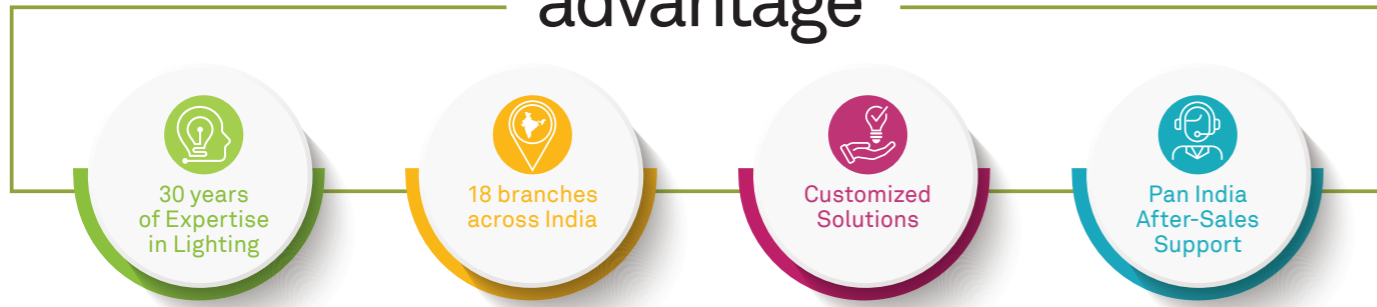
# OTHER OUTDOOR GENIUSES



# vista

an interplay of lights

## wipro advantage



**Registered Office:** Wipro Enterprises (P) Ltd. 'Wipro House', No. 8, 7th Main, 80 Feet Road, Koramangala, 1st Block, Bangalore 560034, Karnataka, India.  
**Business Office:** Wipro Lighting, 5th Floor, Godrej Eternia - C, Old Pune-Mumbai Highway, Shivajinagar, Pune 411005, India. (T) 020 66098700, (F) 020 66098777



[www.wiprolighting.com](http://www.wiprolighting.com) | Toll free no: 1800 425 1969 | [helpdesk.lighting@wipro.com](mailto:helpdesk.lighting@wipro.com)

Follow us on:

**Branches:** Ahmedabad | Bangalore | Baroda | Bhubaneshwar | Chandigarh | Chennai | Cochin | Coimbatore | Hyderabad | Indore | Jaipur | Kolkata | Lucknow | Mumbai | Nagpur | New Delhi | Pune | Raipur | Vishakhapatnam

Innovation and improvement are a way of life at Wipro. All rights reserved. Reproduction of this data in parts or in whole, without permission, is prohibited. Care has been taken to ensure that the information content within is correct. We reserve the right to modify the product without prior intimation. Imitation of Registered Designs is a punishable offence.



# 30 YEARS OF WIPRO LIGHTING

## CELEBRATING A JOURNEY THAT IS NOW DEFINING THE FUTURE OF LIGHTING

At Wipro, innovation is in our DNA. Our leading-edge technology and customer-centric approach, come together to provide intelligent lighting solutions across segments such as manufacturing, healthcare, outdoor, offices and much more. Recognized globally for thought-leadership and expert solutions, Wipro Lighting has been leading the category with excellence for the last 30 years!



### MAKING OUTDOORS SAFER AND SMARTER

The world's youngest nation refuses to sleep. India is on the go all day, all night. Wipro Lighting believes it should support the nation's energy and progress with its leading-edge solutions at all hours. India is upgrading highways, landscapes, arenas and other infrastructure. Wipro's intelligent outdoor lighting complements it by not only being energy and cost efficient, but by also being high on aesthetics. It is automated, provides optimal illumination and act as data hubs too. Join us in building the blocks of India. Come, experience the future with us.



PLAY WITH  
LIGHTS AND  
SHADOWS



BEST IN  
CLASS LUMEN  
EFFICACY



DARK  
NIGHT EFFECT

IP66

# VISTA LIGHTING

## MAKING OUTDOORS INSPIRING

India's new-age architecture requires lighting that complements it with great designs, soothing ambience and versatile solutions. Introducing Vista, by Wipro Lighting. Post-tops that are a tribute to Wipro's lighting design technology and exquisite craftsmanship. From classic to contemporary, Vista lights are designed to make every landscape shine with impressive yet subtle light distribution. The soft diffused light is ideal to create a moonlit effect that beautifully highlights the landscape design.

Every light is made to pass a range of tests to ensure it delivers optimal lighting, weather endurance, reliable and long-lasting performance. Its stunning and sustainable solutions support the dark sky technology and avoid up-light to minimize light pollution and disturbance to animals and their environment.

Vista's impressive combination of symmetric and asymmetric lights come together to make spaces safe, warm and welcoming.



# FEATURES & BENEFITS

110  
L/W

## OPTIMUM LIGHT OUTPUT



Polycarbonate  
Fresnel/Street Optic Lens  
that reduces glare



Uniform and wide  
light distribution with  
lens/diffuser

## DURABLE AND WEATHER RESISTANT



No corrosion



Dust and waterproof  
with IP66



LED with long life



High performing  
potted driver



Superior thermal  
management

## LOWER TOTAL COST OF OWNERSHIP



Higher efficacy



Higher savings due to  
reduced energy consumption



Higher Power Factor.  
Lower THD.

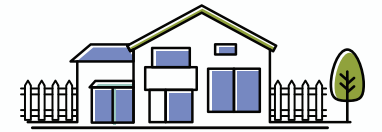


# APPLICATION AREAS

---



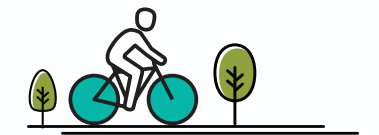
River Front



Periphery Lighting



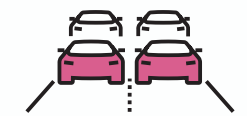
Boulevard and Avenue



Cycle Track and Footpath



Urban and Residential Street



Parking Area



Park and Playground



Public Transport Area

# PRODUCT SPECIFICATIONS



Metal clad PCBs



Aluminium diecast housing duly powder coated with pure grey polyester powder



High performing integral driver



Designed and manufactured to comply with general purpose lighting - IS 10322 part 5 / sec 5: 2013

## INSTALLATION

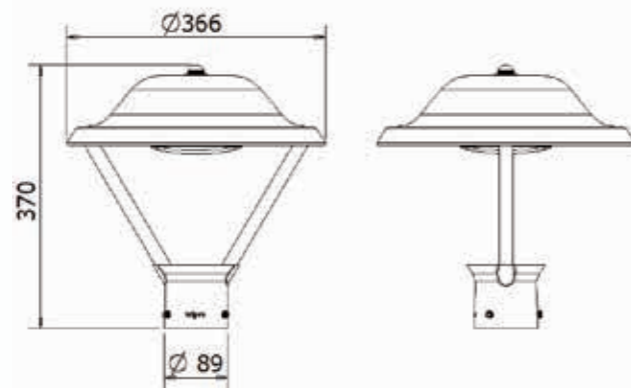
- Suitable for external pole dia. 65 mm to 75mm (Pole to be ordered separately)
- In-line SPD of 10kv can be provided,
- SPD order code – SPDIL10KV10KA-320B

## ACCESSORIES

- 3 Way 10 Amp connector provided for quick connections with extended Wire 100-150 mm out of luminaire.
- 3 no's M6x15 Allen bolts for pole mounting

## ELECTRICAL DATA

Catalogue Reference No.	Power (W+/- 10%)	Rated Voltage (VAC)	Input Current (Amp)	Weight (Kg+/- 0.2)	Case Lot (In Nos)
LP09-431-XXX-57-XX	35	240	0.15	2.2	1
LP09-431-XXX-40-XX	35	240	0.15	2.2	1
LP09-501-XXX-57-XX	45	240	0.19	2.2	1
LP09-501-XXX-40-XX	45	240	0.19	2.2	1
LP09S-431-XX-57-XX	35	240	0.15	2.2	1
LP09S-431-XX-40-XX	35	240	0.15	2.2	1
LP09S-501-XX-57-XX	45	240	0.19	2.2	1
LP09S-501-XX-40-XX	45	240	0.19	2.2	1
LP09S-671-XX-57-XX	60	240	0.26	2.2	1
LP09S-671-XX-40-XX	60	240	0.26	2.2	1



All dimensions are in mm, Tolerance +/-5mm

