



modern workspaces

OpusLED | LM 38

High efficiency recess mounted LED luminaire

APPLICATIONS



FEATURES & BENEFITS

Uniform illumination

Spherical diffuser in the center gives floating light effect.

Energy efficient

Compatible with daylight and occupancy sensor to use power effectively and reduce energy consumption.

Options in colour and light

Direct, indirect, direct-indirect light variant to suit different customer needs. Product available in warm white and cool white colour temperatures.



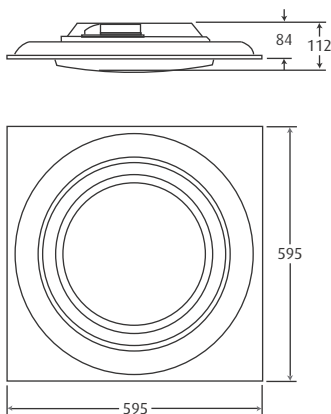
SPECIFICATIONS

- Recess mounted direct-indirect, LED luminaire with uniform light distribution
- White color powder coated deep drawn housing
- Unique floating spherical High Efficiency Translucent (HET)
- PMMA diffuser for direct light
- Introduces a circular geometry into the ceiling plane for visual interest
- Surrounding circular light chamber, containing PMMA diffuser for indirect light
- High efficiency LEDs
- Constant Current Constant Voltage external driver with efficiency of minimum 85 %

INSTALLATION

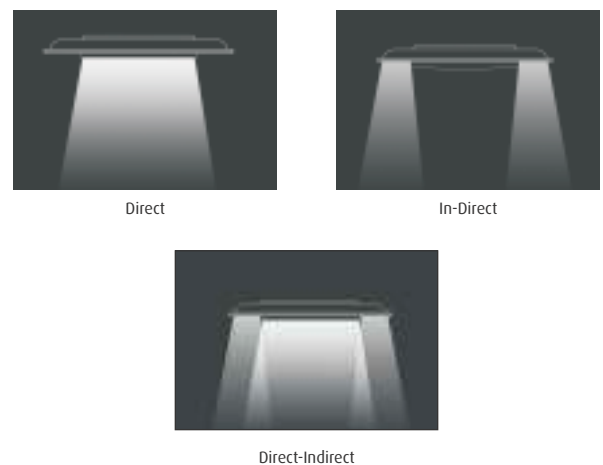
- Designed for installation with four nos. of Steel hook-up wire
- Suitable for Grid/Armstrong modular ceilings
- For Gypsum /POP applications additional frame (Part No: 9180P01089) needs to be ordered separately

DIMENSION DRAWINGS



All dimensions are in mm. Tolerance ± 2 mm

LIGHT DISTRIBUTION



ELECTRICAL & PACKING DATA

INGRESS PROTECTION **IP20**

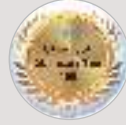
Cat. No.*	Luminaire Lumen OP (Lm)	Luminaire Wattage (W)	Rated Voltage (V)	Mains Current (A)	Approx Weight (KG)	Case Lot (in nos)
LM38-461-XXX-57-XX	3340	34	240	0.15	3.8	02

*57 represents 5700K. Replace 57 with 40 for 4000K

LED is an ever improving and evolving technology. Wipro is committed to bring you the best in LED technology. Data given is representative and can change.

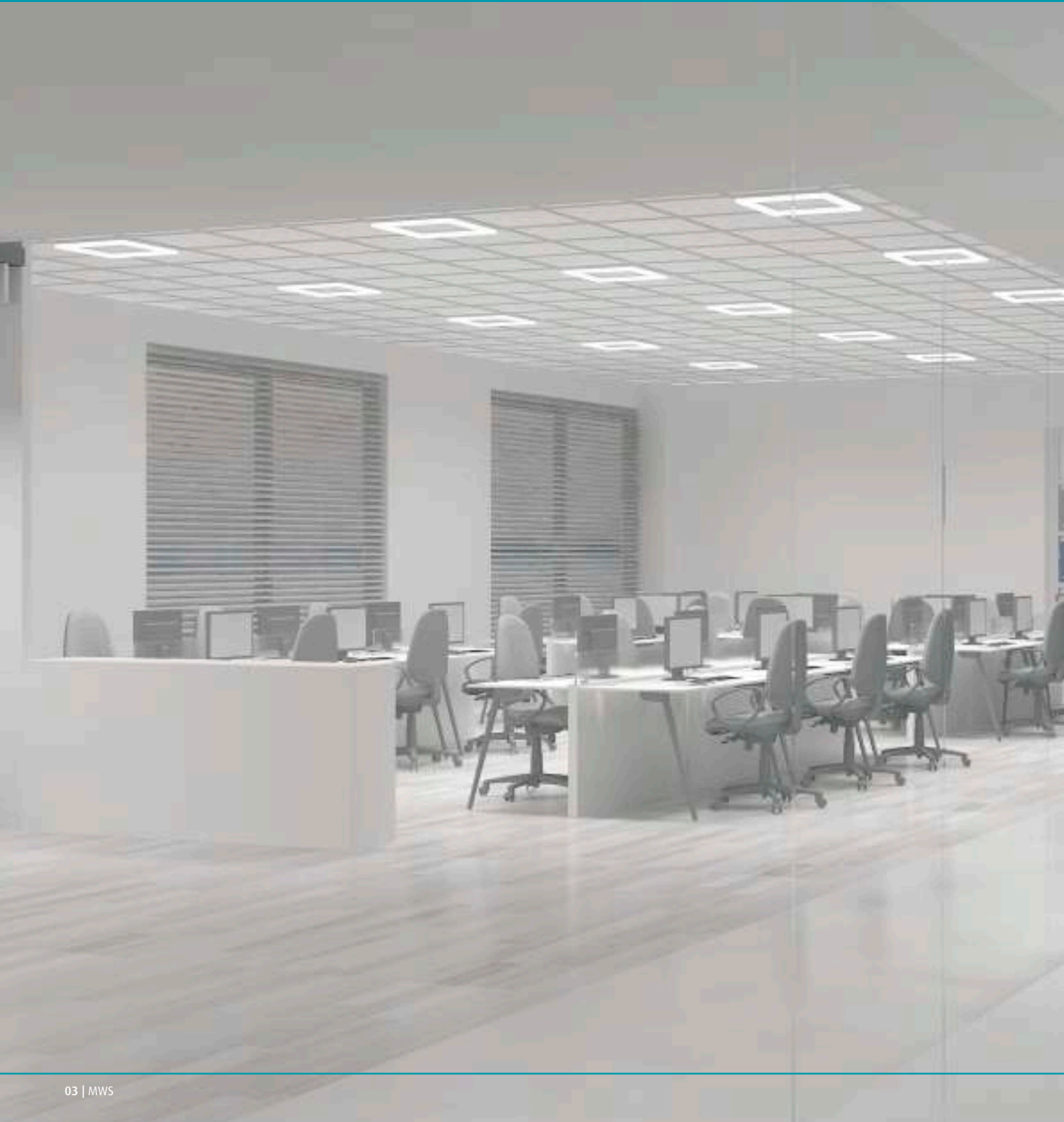


reddot award 2017
winner



VergeLED | LM 29

High efficiency recess mounted LED luminaire





VergeLED | LM 29

INNOVATIVE DESIGN

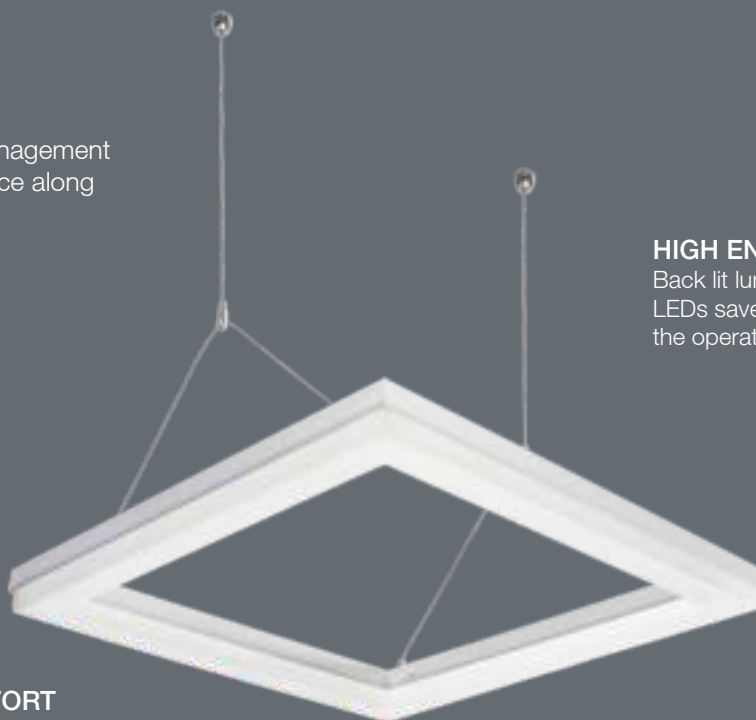
Sleek profile of the luminaire integrates with the texture of the ceiling giving a distinct appearance.

RELIABLE AND QUALITY PERFORMANCE

Extruded aluminium housing ensures excellent thermal management resulting in reliable performance along with clean and distinct look.

HIGH ENERGY EFFICIENCY

Back lit luminaire with high efficiency LEDs save upto 60% energy, reducing the operating cost significantly.



EXCELLENT VISUAL COMFORT

Unique architectural design of the LEDs on the outer periphery, provides volumetric light distribution and visually balanced light.

LONG SERVICE LIFE

Easily accessible best-in-class independent LED driver ensures maintenance free, longer service life.



SPECIFICATIONS

- High efficiency LED luminaire with backlit direct-indirect light
- Extruded, sturdy, rust-free, light-weight aluminium powder coated housing ensures best-in-class heat dissipation
- Central visible part of the fixture is ceiling tile or ceiling material like POP or Gypsum
- Thoughtfully designed LED configuration around the periphery resulting in wider, volumetric light distribution
- High efficiency LEDs with best possible chromaticity, colour consistency and uniformity by best binning process resulting up to 60% energy saving
- Insect proof LED compartment
- Optically researched, seamless HET PC diffuser with 10% uplight, 90% downlight for balanced illumination on wall, ceiling and tabletop
- Independent driver box for easy accessibility and maintenance with smart connector & pre-wired accessories
- Driver box designed for better thermal management ensuring longer service life
- Conforms to IS 10322 part 5/Sec 1: 2012

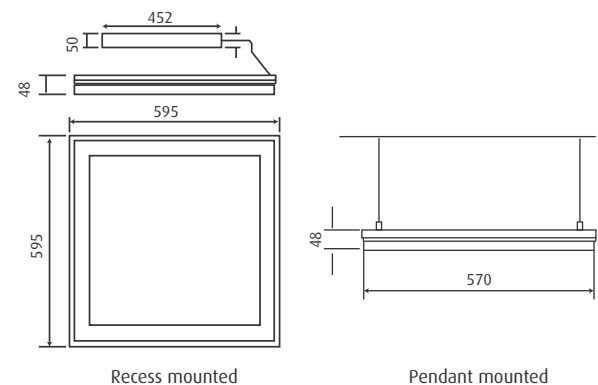
APPLICATIONS



INSTALLATION

- Designed for installation with four nos. of steel hook-up wire
- Suitable for Grid/Armstrong modular ceiling system
- Separate gear box with male/female connector provided
- Suspension is part of suspended product as per below product code
- LM29-451-XXX-57RCC - RCC ceiling pendent mounted product
- LM29-451-XXX-57GRD - Modular grid 24/15mm prelude pendent mounted product
- For Gypsum/POP applications additional frame, (Part No: 9180P01025) needs to be ordered separately

DIMENSION DRAWINGS



Please get in touch with Wipro Team on POP installation

All dimensions are in mm. Tolerance ± 2 mm

ELECTRICAL & PACKING DATA

INGRESS PROTECTION **IP20**

Cat. No.*	Luminaire Lumen OP (Lm)	Nominal System Wattage (W)	Rated Voltage (V)	Mains Current (A)	Approx Weight (Kg)	Case Lot (in nos)
LM29-451-XXX-57-XX	3065	33	240	0.13	3.0	02
LM29-451-XXX-57RCC	3065	33	240	0.13	2.8	02
LM29-451-XXX-57GRD	3065	33	240	0.13	2.8	02

*57 represents 5700K. Replace 57 with 40 for 4000K

LED is an ever improving and evolving technology. Wipro is committed to bring you the best in LED technology. Data given is representative and can change.

ImmaculateLED Trimless | CRCO 10

Recess mounted LED luminaire with minimalist trim and full diffuser suitable for recessed grid/POP



APPLICATIONS



SPECIFICATIONS

- Thoughtfully designed with sleek and seamless aesthetics
- White powder coated housing and front cover in CRCA Sheet
- High Efficiency Translucence (HET) diffuser for better light Transmission & pure effect to avoid dark patches and create perfect diffusion of light
- High efficacy LEDs
- Uniform and optimum light output
- Ideal for green lighting solution
- Conforms to IS 10322 part 5/Sec 1 1987 comply

INSTALLATION

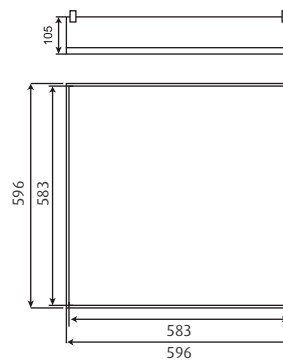
- Seamless integration with Grid/Armstrong modular ceiling system
- Easy installation and long service life

ACCESSORIES

- For POP/Gypsum applications additional frame Cat. No. 9180P01025 needs to be ordered separately



DIMENSION DRAWINGS



All dimensions are in mm. Tolerance ± 2 mm

ELECTRICAL & PACKING DATA

INGRESS PROTECTION **IP20**

Cat. No.*	Luminaire Lumen OP (Lm)	Luminaire Wattage (W)	Rated Voltage (V)	Mains Current (A)	Approx Weight (KG)	Case Lot (in nos)
CRCO10R038HP57SLAB	3000	31	240	0.14	3.6	02

*57 represents 5700K. Replace 57 with 40 for 4000K

LED is an ever improving and evolving technology. Wipro is committed to bring you the best in LED technology. Data given is representative and can change.



ImmaculateLED | CRCO 10

Recess/surface mounted LED luminaire with full diffuser

APPLICATIONS



SPECIFICATIONS

- CRCA white powder coated housing with ABS plastic top cover for better aesthetic finish
- Highly efficient PMMA diffusers for better light transmission and pure effect
- High luminous flux LEDs for better light output
- Electronic driver duly wired up to the terminal block
- Designed and manufactured to comply with IS 10322 part 5/Sec 1 2012

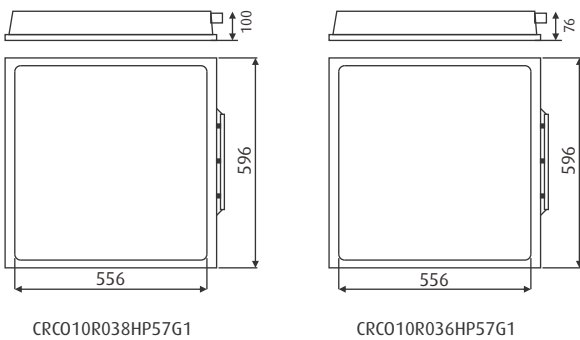
INSTALLATION

- Suitable for Grid/Armstrong/POP modular ceiling system

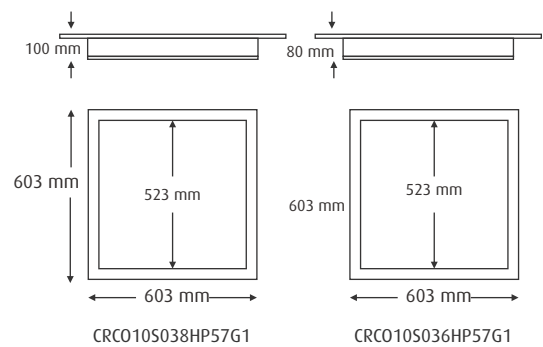
ACCESSORIES

- For Gypsum/POP applications, CRCA powder coated frame Cat. No. 9180P01089 to be ordered separately
- For POP/Gypsum ceiling cutout dimensions are 608 mm x 608 mm

DIMENSION DRAWINGS



All dimensions are in mm Tolerance: ± 2mm



All dimensions are in mm Tolerance: ± 2mm

ELECTRICAL & PACKING DATA

INGRESS PROTECTION **IP20**

Cat. No.*	Luminaire Lumen OP (Lm)	Nominal System Wattage (W)	Rated Voltage (V)	Mains Current (A)	Approx Weight (kg)	Case Lot (in nos)
CRCO10R038HP57G1	3000	31	240	0.14	3.9	02
CRCO10S038HP57G1	3000	31	240	0.14	4.2	02
CRCO10R036HP57G1	3300	33	240	0.15	3.9	02
CRCO10S036HP57G1	3300	33	240	0.15	4.2	02

*'R' represents recess and 'S' represents surface mounting

*Other colour temperatures available on request.

LED is an ever improving and evolving technology. Wipro is committed to bring you the best in LED technology. Data given is representative and can change.

ImmaculateLED DD | LM 24

Recess mounted LED luminaire with dropdown diffuser



APPLICATIONS



SPECIFICATIONS

- White powder coated housing and front cover in plastic
- High Efficiency Translucence (HET) diffuser
- High efficacy LEDs
- IS 10322 part 5/Sec 1 1987 comply

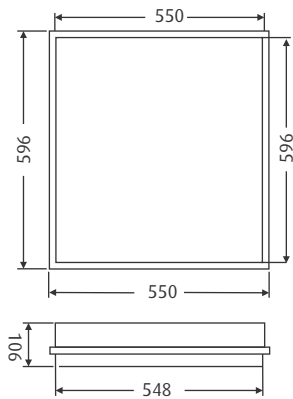
INSTALLATION

- Suitable for Grid/Armstrong/POP modular ceiling system

ACCESSORIES

- For Gypsum/POP applications, CRCA powder coated frame Cat. No. 9180P01089 order separately
- For POP/Gypsum ceiling cutout dimensions are 608 mm x 608 mm

DIMENSION DRAWINGS



All dimensions are in mm. Tolerance ± 2 mm

ELECTRICAL & PACKING DATA

INGRESS PROTECTION **IP20**

Cat. No.*	Luminaire Lumen OP (Lm)	Nominal System Wattage (W)	Rated Voltage (V)	Mains Current (A)	Approx Weight (Kg)	Case Lot (in nos)
LM24-391-XXX-57-DD	2825	31	240	0.14	3.8	02
LM24-421-XXX-57-DD	2973	33	240	0.15	3.8	02

LED is an ever improving and evolving technology. Wipro is committed to bring you the best in LED technology. Data given is representative and can change.



ImmaculateLED Platinum | LM 25

Recess mounted slim LED luminaire



APPLICATIONS



SPECIFICATIONS

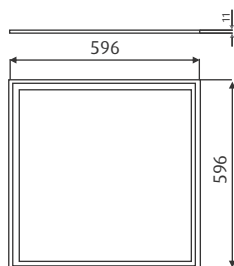
- Extruded aluminium white powder coated housing
- Edge lit optics from reflector+light guide plate+diffuser configuration
- Low wattage high efficient LEDs
- Electronic LED driver pre-wired upto terminal block
- Excellent heat dissipation through direct contact
- Designed and manufactured to comply with IS 10322 part 5/Sec 1 2012

INSTALLATION

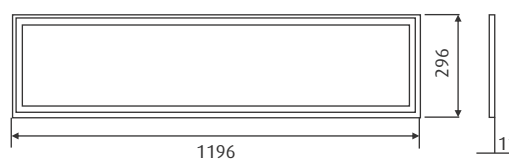
- Suitable for Grid/Armstrong/POP modular ceiling system

Please get in touch with Wipro Team on POP installation

DIMENSION DRAWINGS



Cutout: 570mm x 570mm



Cutout: 270 mm x 1170 mm

All dimensions are in mm. Tolerance ± 2 mm

ELECTRICAL & PACKING DATA

INGRESS PROTECTION **IP20**

Cat. No.*	Luminaire Lumen OP (Lm)	Nominal System Wattage (W)	Rated Voltage (V)	Mains Current (A)	Case Lot (in nos)
LM25-361-XXX-65-G1	3600	36	240	0.16	04
LM25-481-XXX-65-G1	3600	36	240	0.16	04

*Other colour temperatures available on request.

LED is an ever improving and evolving technology. Wipro is committed to bring you the best in LED technology. Data given is representative and can change.

ElateLED | CRCO 10

Recess mounted LED luminaire with complete diffuser



APPLICATIONS



SPECIFICATIONS

- White powder coated housing & frame in CRCA sheet
- High efficiency LED grade diffuser
- High efficacy LEDs for better light output
- Electronic driver pre-wired upto the terminal block
- Designed and manufactured to comply with IS 10322 part 5/Sec 1 19877

INSTALLATION

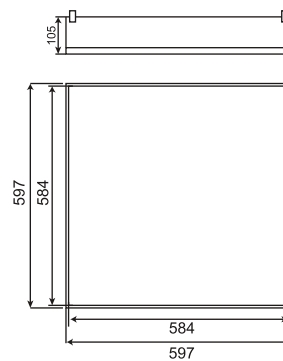
- Suitable for modular ceiling system

ACCESSORIES

- For Gypsum/POP applications additional frame needs to be ordered separately
- Order 9180P01025 for aluminium or order 9180P01089 for M.S. Case lot 10 pcs/box



DIMENSION DRAWINGS



All dimensions are in mm. Tolerance ± 2 mm

ELECTRICAL & PACKING DATA

INGRESS PROTECTION **IP20**

Cat. No.*	Luminaire Lumen OP (Lm)	Luminaire Wattage (W)	Rated Voltage (V)	Mains Current (A)	Case Lot (in nos)
CRCO10R038HP57GL1	3640	36	240	0.18	02

*57 represents 5700K. Replace 57 with 40 for 4000K

LED is an ever improving and evolving technology. Wipro is committed to bring you the best in LED technology. Data given is representative and can change.



WaveLED | LM 24

Recess mounted direct-indirect LED luminaire



APPLICATIONS



SPECIFICATIONS

- White powder coated CRCA housing and front cover in plastic
- Special virgin grade High Efficiency Translucence (HET) diffuser
- High luminous flux imported LEDs for better light output
- Electronic control gear duly wired up to the terminal block
- Designed and manufactured to comply with IS 10322 part 5/Sec 1 1987

INSTALLATION

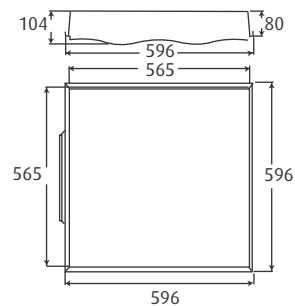
- Designed for installation with four nos. of steel hook-up wire suspension to ensure correct leveling within ceiling aperture
- Suitable for Armstrong/CRG/TRAC/ USG/Celotex/ POP**modular ceilings

ACCESSORIES

- CRCA powder coated frame Cat. No. 9180P01089 order separately
- For POP/Gypsum ceiling cutout dimensions are 608 mm x 608 mm



DIMENSION DRAWINGS



All dimensions are in mm. Tolerance ± 2 mm

ELECTRICAL & PACKING DATA

INGRESS PROTECTION **IP20**

Cat. No.*	Luminaire Lumen OP (Lm)	Luminaire Wattage (W)	Rated Voltage (V)	Mains Current (A)	Approx. Weight (kg)	Case Lot (in nos)
LM24-391-XXX-57-G1	3203	31	240	0.14	3.8	02
LM24-421-XXX-57-G1	3303	33	240	0.15	3.8	02

*Other colour temperatures available on request.

LED is an ever improving and evolving technology. Wipro is committed to bring you the best in LED technology. Data given is representative and can change.

SpacioLED | LM 15

Recess mounted indirect-direct LED luminaire for new age workspaces



APPLICATIONS



SPECIFICATIONS

- CRCA powder coated ribbed housing
- Special translucent high transmissivity, polycarbonate diffuser
- Low power, high efficiency LED
- Excellent heat dissipation through direct contact
- Driver pre wired up to terminal block
- Provision for loop in loop out for ease of wiring
- Conforms to IS 10322 / Part 5 /Sec 1 : 2012

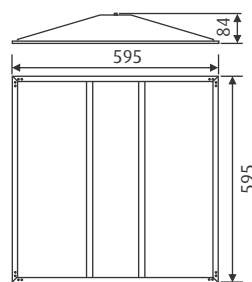
ACCESSORIES

- In-built electronic LED driver
- Complete with LEDs and drivers pre-wired up to terminal block
- 3way 10Amps GFP mains connector

INSTALLATION

- Luminaires suitable for Armstrong/GRG/TRAC/USG/Celotex/POP modular ceiling systems
- Luminaire design for installation with four nos. of steel hook-up wire suspension to ensure correct leveling within ceiling aperture
- Simple and rapid installation to save time and effort

DIMENSION DRAWINGS



Cutout: 570mm x 570mm

All dimensions are in mm. Tolerance ± 2 mm

ELECTRICAL & PACKING DATA

INGRESS PROTECTION **IP20**

Cat. No.*	Luminaire Lumen OP (Lm)	Nominal System Wattage (W)	Rated Voltage (V)	Mains Current (A)	Approx Weight (Kg)	Case Lot (in nos)
LM15-361-XXX-57-XX	2579	32	240	0.13	3.0	02
LM15-411-XXX-57-XX	3025	35	240	0.18	3.0	02

*Other colour temperatures available on request.

LED is an ever improving and evolving technology. Wipro is committed to bring you the best in LED technology. Data given is representative and can change.



Matrix-ILED | LM 17

Recess mounted LED luminaire



APPLICATIONS



SPECIFICATIONS

- CRCA white powder coated housing
- Special translucent high transmissivity, PMMA diffuser
- High efficiency LED
- Driver pre-wired up to terminal block
- Provision for loop in loop out for ease of wiring
- Conforms to IS 10322/Part 5/Sec 1 : 2012
- In-built electronic LED driver
- Complete with LEDs and drivers pre-wired up to terminal block to connect in coming power
- 3way 10Amps GFP mains connector

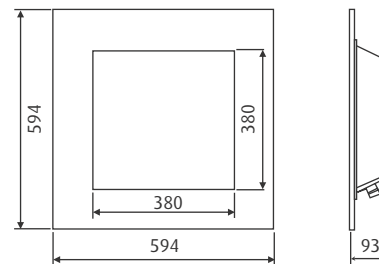
INSTALLATION

- Luminaires suitable for Armstrong/GRG/TRAC/USG/Celotex / POP modular ceiling systems
- Luminaire design for installation with four nos. of steel hook-up wire suspension to ensure correct leveling within ceiling cutout
- Simple and rapid installation to save time and effort

ACCESSORIES

- CRCA powder coated frame Cat no. 9180P01089-order separately for POP ceiling installation

DIMENSION DRAWINGS



Cutout: 608mm x 608mm

All dimensions are in mm. Tolerance ± 2 mm

ELECTRICAL & PACKING DATA

INGRESS PROTECTION **IP20**

Cat. No.*	Luminaire Lumen OP (Lm)	Luminaire Wattage (W)	Rated Voltage (V)	Mains Current (A)	Approx. Weight (kg)	Case Lot (in nos)
LM17-401-XXX-57-XX	2802	30	240	0.13	3.8	02
LM17-461-XXX-57-XX	3260	33	240	0.14	3.8	02

LED is an ever improving and evolving technology. Wipro is committed to bring you the best in LED technology. Data given is representative and can change.

AxeonLED Recess | LM 34



Recess mounted linear LED luminaire

APPLICATIONS



SPECIFICATIONS

- White powder coated finish extruded aluminium housing
- Special translucent satin finish LED grade diffuser
- Low power, high efficacy long life LEDs
- Excellent heat dissipation
- High Performance LED driver duly wired up to terminal block
- Luminaires are suitable for stand-alone and continuous installation
- Provision for loop in loop out for ease of wiring
- Conforms to IS 10322 part 5/Sec 1 2012

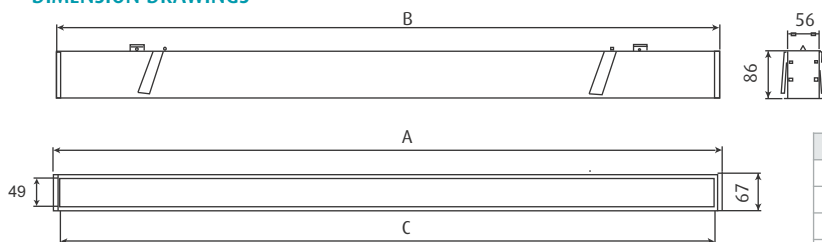
INSTALLATION

- Support bracket with quick onsite adjustment: Suitable POP/Gypsum/Grid

ACCESSORIES

- In-built electronic LED driver
- Complete with LEDs and drivers pre-wired up to terminal block to connect in coming power
- 3way 10Amps GFP mains connector

DIMENSION DRAWINGS



	A	B	C	POP Cutout
4ft Std	1195	1184	1171	60mm x 1188 mm
4ft CT	1190	1182	1171	60mm x (No. of units + 5mm)
8ft Std	2395	2384	2362	60mm x 2388 mm
8ft CT	2387	2382	2362	60mm x (No. of units + 5mm)

All dimensions are in mm. Tolerance ± 2 mm

ELECTRICAL & PACKING DATA

INGRESS PROTECTION **IP20**

Cat. No.*	Length	Luminaire Lumen OP(Lm)	Luminaire Wattage(W)	Rated Voltage(V)	Mains Current(A)	Approx Weight(Kg)	Case Lot(in nos)
LM34-251-XXX-57-RM	4 ft	1764	20	240	0.092	4.5	01
LM34-251-XXX-57RMCT	4 ft	1764	20	240	0.092	4.5	01

*57 represents 5700K. Replace 57 with 40 for 4000K. LED is an ever improving and evolving technology. Wipro is committed to bring you the best in LED technology. Data given is representative and can change.



AxeonLED Trimless | LM 34

Recess mounted linear LED luminaire



APPLICATIONS



SPECIFICATIONS

- Product would look neat and clean with thin border
- White powder coated finish extruded aluminium housing
- Special translucent satin finish color LED PMMA diffuser
- Low power, high efficacy long life LEDs
- Excellent heat dissipation through direct contact
- LED driver duly wired up to terminal block
- Luminaires are suitable for stand-alone and continuous trim less installation
- Provision for loop in loop out for ease of wiring
- Conforms to IS 10322 part 5/ Sec 1 2012

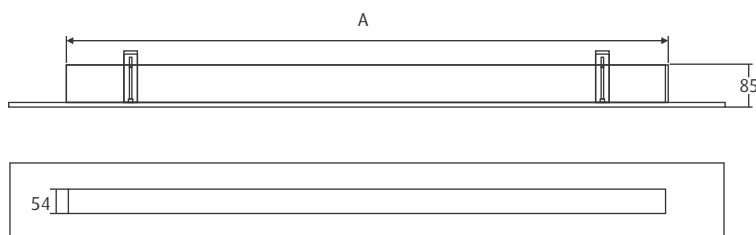
INSTALLATION

- Fixed and adjustable brackets are provided for easy mounting on POP/Gypsum/wooden ceilings

ACCESSORIES

- In-built electronic LED driver
- Complete with LEDs and drivers pre-wired up to terminal block to connect in coming power
- 3way 10Amps GFP mains connector

DIMENSION DRAWINGS



	A	POP Cutout
4 ft Std	1180	54mm x 1182mm
4 ft CT	1176	54mm x continuous
8 ft Std	2356	54mm x 2358mm
8 ft CT	2352	54mm x continuous

All dimensions are in mm. Tolerance ± 2 mm

ELECTRICAL & PACKING DATA

INGRESS PROTECTION **IP20**

Cat No.	Length	Luminaire Lumen OP(Lm)	Luminaire Wattage(W)	Mains Current	Approx Weight (kg)	Case Lot (in nos)
LM34-251-XXX-57-TL	4 ft	1764	20	0.092	4.5	1
LM34-251XXX-57TLCT	4 ft	1764	20	0.092	4.5	1

*57 represents 5700K. Replace 57 with 40 for 4000K. LED is an ever improving and evolving technology. Wipro is committed to bring you the best in LED technology. Data given is representative and can change.

LineosLED | LM 30

Linear recess mounted LED luminaire



APPLICATIONS



SPECIFICATIONS

- White powder coated aluminium housing
- Special translucent satin finish colour LED PMMA diffuser
- Low power, high efficacy long life LEDs
- Excellent heat dissipation through direct contact
- Complete assembly with LED, driver and accessories pre wired upto terminal block
- Integral covered control gear
- Suitable for indoor application
- Conforms to IS 10322 / Part 5 / Sec 1:1987

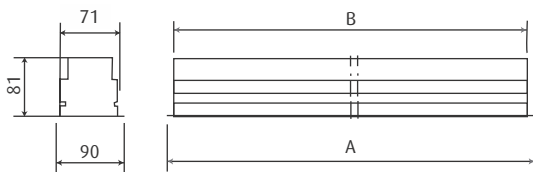
INSTALLATION

- Specially designed mounting brackets suitable for 10 to 30 mm thick POP/GYP board ceiling system

CONTROL GEAR

- In-built Electronic LED driver

DIMENSION DRAWINGS



Cutout: 1178mm x 78mm

All dimensions are in mm. Tolerance ± 2 mm

Cat No.	Dimension A (mm)	Dimension B (mm)
LM30-211-XXX-57-XX	1195	21
LM30-211-XXX-57-CT	1185	21
LM30-401-XXX-57-XX	1195	30
LM30-401-XXX-57-CT	1185	30

ELECTRICAL & PACKING DATA

INGRESS PROTECTION **IP20**

Cat. No.*	Luminaire Lumen OP (Lm)	Nominal System Wattage (W)	Rated Voltage (V)	Mains Current (A)	Approx. Weight (kg)	Case Lot (in nos)
LM30-211-XXX-57-XX	1554	21	240	0.092	2.7	01
LM30-211-XXX-57-CT	1554	21	240	0.092	2.7	01
LM30-401-XXX-57-XX	2830	32	240	0.13	2.7	01
LM30-401-XXX-57-CT	2830	32	240	0.13	2.7	01

*Other colour temperatures available on request. LED is an ever improving and evolving technology. Wipro is committed to bring you the best in LED technology. Data given is representative and can change.



Aura Plus | CRCO 13

Recess/surface mounted LED luminaire



APPLICATIONS



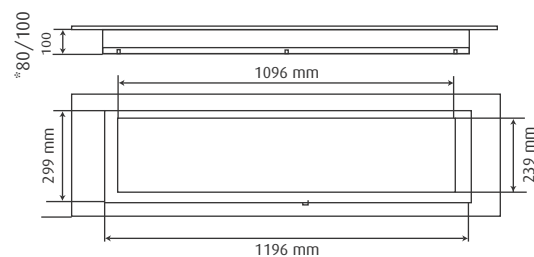
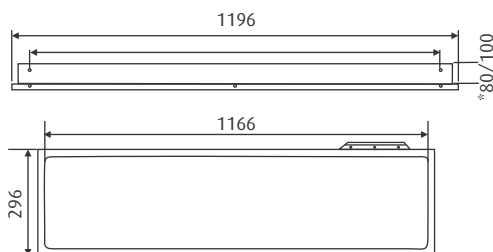
SPECIFICATIONS

- CRCA white powder coated housing with CRCA cover
- High Efficiency Translucence (HET) diffuser for better light diffusion
- High efficacy and long life LEDs for better light output
- Easy to mount with suspension kit
- Electronic driver duly wired up to the terminal block
- Designed and manufactured to comply with IS 10322 part 5/Sec 1 2012

INSTALLATION

- Suitable for Grid/Armstrong/POP modular ceiling systems

DIMENSION DRAWINGS



For 36W luminaire, height is 80mm. For 38W luminaire, height is 100mm

All dimensions are in mm. Tolerance ± 2 mm

ELECTRICAL & PACKING DATA

INGRESS PROTECTION **IP20**

Cat. No.*	Luminaire Lumen OP (Lm)	Luminaire Wattage (W)	Rated Voltage (V)	Mains Current (A)	Approx. Weight (kg)	Case Lot (in nos)
CRCO13R038HP57G1	3000	31	240	0.14	3.8	02
CRCO13S038HP57G1	3000	31	240	0.14	4.0	02

*R' represents recess and 'S' represents surface mounting

*57 represents 5700K. Replace 57 with 40 for 4000K

LED is an ever improving and evolving technology. Wipro is committed to bring you the best in LED technology. Data given is representative and can change.

TZLED | LM 35

Recess mounted slim LED luminaire suitable for TechZone™ ceiling



APPLICATIONS



SPECIFICATIONS

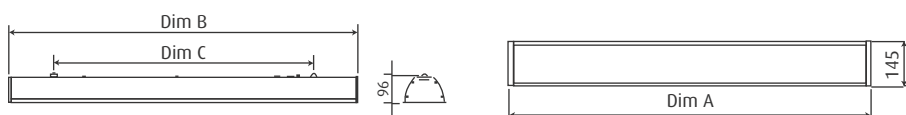
- Down lighting with high efficacy long life LEDs
- Extruded white powder coated aluminium housing with die-cast end cap
- Special translucent satin finish PMMA diffuser
- Suitable for stand-alone and continuous row installation
- Driver and accessories pre-wired up to the terminal block
- Designed and manufactured to comply with IS 10322 part 5/Sec 1 1987

INSTALLATION

- Suitable for Armstrong TechZone™ ceiling

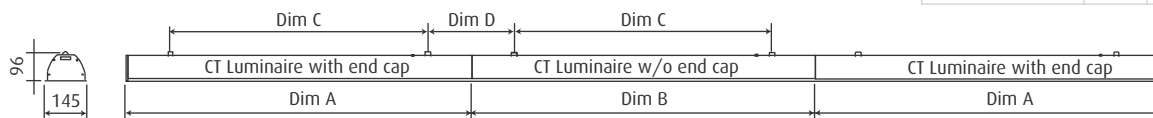
DIMENSION DRAWINGS

Stand-alone installation



Product Dimensions & Mounting Details				
Cat No.	Dim A	Dim B	Dim C	Dim D
LM35-381-XXX-57-G1	1195	1179	880	NA
LM35-761-XXX-57-G1	2395	2379	2080	NA
LM35-381-XXX-57-CT	1185	1175	880	295
LM35-761-XXX-57-CT	2385	2375	2080	295

Continuous row installation



Cutout: 1178mm x 133mm

All dimensions are in mm. Tolerance ± 2 mm

ELECTRICAL & PACKING DATA

INGRESS PROTECTION **IP20**

Cat. No.*	Luminaire Lumen OP (Lm)	Nominal System Wattage (W)	Rated Voltage (V)	Mains Current (A)	Approx. Weight (kg)	Case Lot (in nos)
LM35-381-XXX-57-G1	2500	28	240	0.12	4.0	02
LM35-381-XXX-57-CT	2500	28	240	0.12	4.0	02
LM35-761-XXX-57-G1	5000	56	240	0.24	8.0	01
LM35-761-XXX-57-CT	5000	56	240	0.24	8.0	01

*Other colour temperatures available on request. Product Code with G1 for Standalone installation and CT for continuous row installation

LED is an ever improving and evolving technology. Wipro is committed to bring you the best in LED technology. Data given is representative and can change.







AxeonLED Drop Down | LM 34

Suspended Linear LED luminaire with drop down diffuser



APPLICATIONS



SPECIFICATIONS

- White powder coated finish extruded aluminium housing
- Special translucent satin finish LED grade diffuser
- Low power, high efficacy long life LEDs
- Excellent heat dissipation
- High performance LED driver duly wired up to terminal block
- Luminaires are suitable for stand-alone and continuous installation
- Provision for loop in loop out for ease of wiring
- Conforms to IS 10322 part 5/ Sec 1 2012

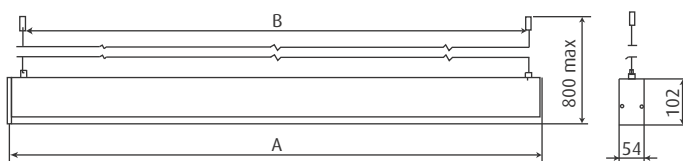
INSTALLATION

- Suitable for suspended and surface mounted application

ACCESSORIES

- In-built electronic LED driver
- Complete with LEDs and drivers pre-wired up to terminal block to connect in coming power
- 3way 10Amps GFP mains connector

DIMENSION DRAWINGS



CAT NO.	DIM A	DIM B
LM34-251-XXX-57-DD	1180	1120
LM34-501-XXX-57-DD	2355	2300
LM34-251-XXX-57-DDCT	1180	1120
LM34-501-XXX-57-DDCT	2355	2300

All dimensions are in mm. Tolerance ± 2 mm

ELECTRICAL & PACKING DATA

INGRESS PROTECTION **IP20**

Cat. No.*	Length	Luminaire Lumen OP (Lm)	Luminaire Wattage (W)	Rated Voltage (V)	Mains Current (A)	Approx Weight (Kg)	CaseLot (in nos)
LM34-251-XXX-57-DD	4 feet	1764	20	240	0.09	4.5	01
LM34-251XXX-57DDCT	4 feet	1764	20	240	0.09	4.5	01
LM34-501-XXX-57-DD	8 feet	3528	40	240	0.18	9.0	01
LM34-501XXX-57DDCT	8 feet	3528	40	240	0.18	9.0	01

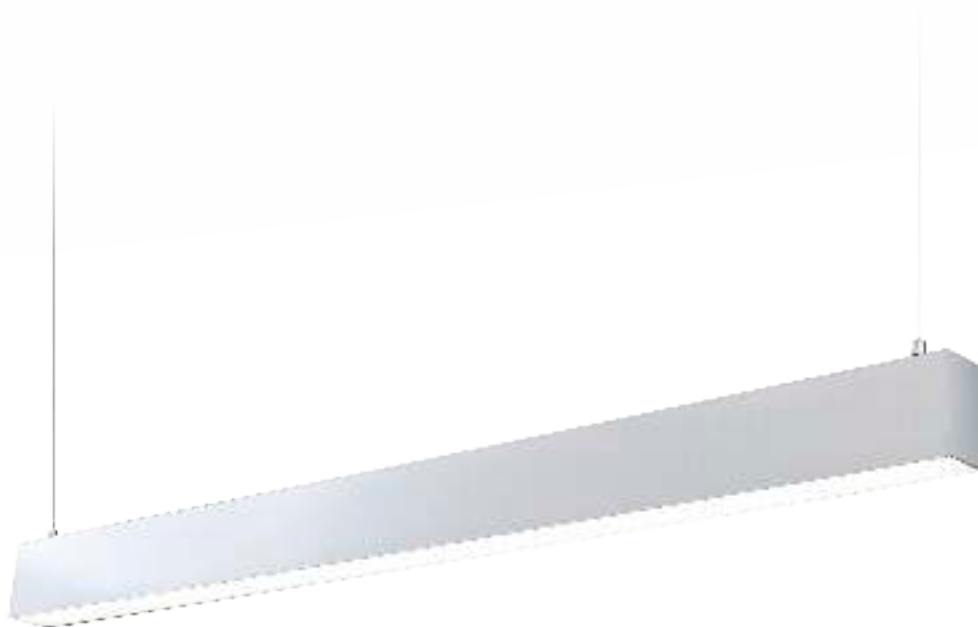
*57 represents 5700K. Replace 57 with 40 for 4000K.

LED is an ever improving and evolving technology. Wipro is committed to bring you the best in LED technology. Data given is representative and can change.

AxeonLED | LM 34

Linear suspended up-down light, LED luminaire

APPLICATIONS



FEATURES & BENEFITS

Uniform illumination

Special High Efficiency Translucence (HET) diffuser provides wide and horizontal light distribution across horizontal and vertical surfaces enhancing the beauty of the environment.

Up-Down lighting

Separate upward and downward light component in the luminaire helps in distributing light uniformly. 33% up & 66% downward light distribution gives a spacious and distinctive look to the workspaces.

High Efficacy LEDs

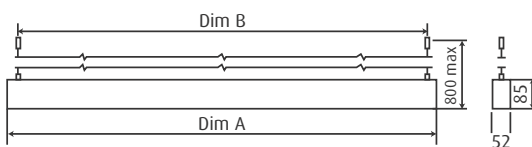
Excellent luminaire design along with low power, high efficacy LEDs contribute to 50% energy savings. It also addresses the need of good quality lighting and long life for the luminaire.



SPECIFICATIONS

- White powder coated finish extruded aluminium housing
- Special translucent satin finish colour LED PMMA diffuser
- 33% up & 66% downward light distribution
- Low power, high efficacy long life LEDs
- Excellent heat dissipation through direct contact
- LED driver duly wired up to terminal block
- Luminaires are suitable for stand alone and continuous row installation
- Also available in 90° and 120° connectivity
- 90° and 120° connectivity options available in Axeon downlight Luminaire
- For Axeon Updown Luminaire – 4ft and 8ft Luminaire length options available
- For Axeon Downlight Luminaire – 2ft, 3ft, 4ft, 6ft and 8ft length options available
- Provision for loop in loop out for ease of wiring
- Conforms to IS 10322 part 5/ Sec 1 1987

DIMENSION DRAWINGS



All dimensions are in mm. Tolerance ± 2 mm

Product Dimensions		
Cat. No.	Dim A	Mtg Dim B
LM34-361-XXX-57-XX/CT	1180	1120
LM34-721-XXX-57-XX/CT	2355	2300

Get in touch with Wipro team for more information

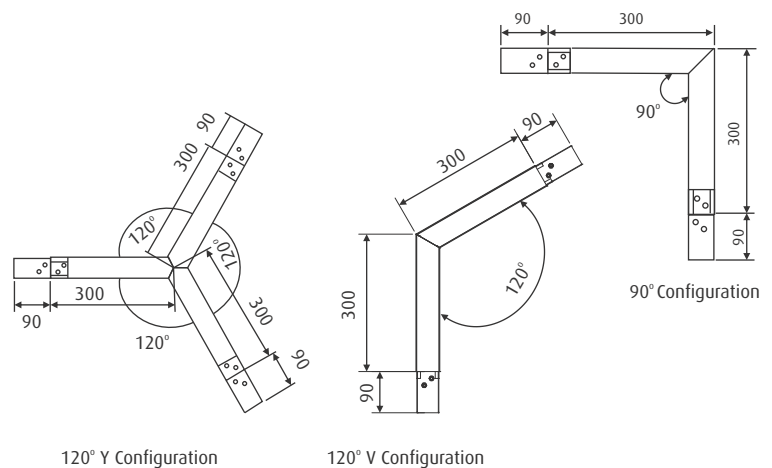
INSTALLATION

Suspension system with quick onsite adjustment:

- LMX 341 suitable for installation on RCC ceiling
- LMX 342 suitable for installation on modular grid Prelude 24mm ceiling system
- LMX 343 suitable for installation on modular grid Silhouette 15mm ceiling system

ACCESSORIES

- In-built electronic LED driver
- Complete with LEDs and drivers pre-wired up to terminal block to connect in coming power
- 3way 10 Amps GFP mains connector



ELECTRICAL & PACKING DATA

INGRESS PROTECTION IP20

Cat. No.*	Luminaire Lumen OP (Lm)	Luminaire Wattage (W)	Rated Voltage (V)	Mains Current (A)	Approx Weight (KG)	Case Lot (in nos)
LM34-361-XXX-57-XX/CT	2595	29	240	0.13	3.6	01
LM34-721-XXX-57-XX/CT	4600	58	240	0.26	7.1	01
LM34-251-XXX-57-XX/CT	1750	20	240	0.10	3.5	01
LM34-501-XXX-57-XX/CT	3500	40	240	0.20	7.0	01
LM34-371-90L-57-12	2600	26	240	0.11	3.6	01
LM34-371-120V57-12**	2600	26	240	0.11	3.6	01
LM34-551-120Y57-12**	3900	39	240	0.17	3.6	01

**For Length of 1050mm, replace "12" with "10" in product code

*Order product code with XX for stand-alone installation and CT for end-to-end installation. 57 represents 5700K.

LED is an ever improving and evolving technology. Wipro is committed to bring you the best in LED technology. Data given is representative and can change.



PieLED | LM 78

Linear up-down suspended light, LED luminaire

APPLICATIONS



FEATURES & BENEFITS

360 degree illuminance

Its unique optical system creates volumetric lighting. PieLED's upward-downward lighting ensures uniform light, creating a relaxed and stress-free work environment.

Seamless connection

PieLED with its straight crisp profile seamlessly connects and aligns with the architecture. Unique, specially designed optics gives modern workspaces the undivided attention.

Ease of Maintenance

PieLED snap-fit diffuser helps in removing and maintaining the diffuser. The height adjustment mechanism provides the flexibility in installing the product



SPECIFICATIONS

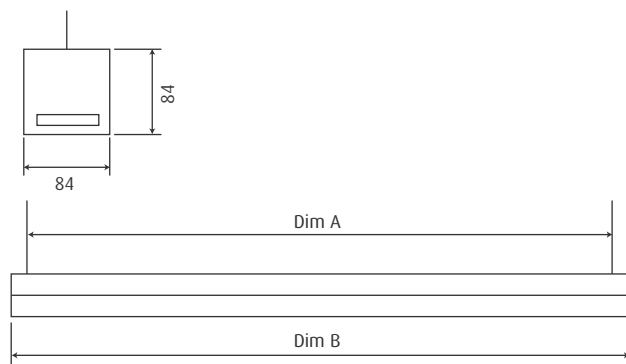
- Extruded pure white powder coated aluminium housing with die-cast end caps
- Up-down lighting with high efficacy LEDs
- Special translucent satin finish coloured LED PMMA diffuser
- Suitable for stand-alone and continuous row installation
- LED driver and accessories pre-wired up to terminal block
- Conforms to IS 10322 part 5/Sec 1 1987

INSTALLATION

Universal suspension system with quick onsite adjustment:

- Mounting with 2 nos. suspensions from ceiling WVX 861 suitable for installation on RCC ceiling
- WVX 862 suitable for installation on modular grid Armstrong (Prelude 24mm exposed suspension system)
- WVX 863 suitable for installation on modular grid Armstrong (Silhouette 15mm)

DIMENSION DRAWINGS



All dimensions are in mm. Tolerance \pm 2mm

Cat No.	DIM A	DIM B
LM78-401-XXX-57-XX	1160	1204
LM78-801-XXX-57-XX	2360	2404
LM78-401-XXX-57-CT	1180	1202
LM78-801-XXX-57-CT	2380	2402

ELECTRICAL & PACKING DATA

INGRESS PROTECTION **IP20**

Cat. No.*	Luminaire Lumen OP (Lm)	Luminaire Wattage (W)	Rated Voltage (V)	Mains Current (A)	Approx Weight (KG)	Case Lot (in nos)
LM78-401-XXX-57-XX/CT	2944	26	240	0.12	4.0	01
LM78-801-XXX-57-XX/CT	5887	52	240	0.24	8.0	01

*Order product code with XX for stand-alone installation and CT for end-to-end installation. 57 represents 5700K. Replace 57 with 40 for 4000K.

LED is an ever improving and evolving technology. Wipro is committed to bring you the best in LED technology. Data given is representative and can change.

AslimlineLED | LM 77

The slimmest luminaire in class

APPLICATIONS



FEATURES & BENEFITS

Edge lit Technology

Edge Lit technology has finally helped us to develop a state of art Edge Lit configuration for optics. Thus creates slim products with better light efficiency.

Elegant profile

The slim linear proportions with sharp aesthetics make the product look dynamic and elegant

Seamless diffuser

Open ended diffuser assembly gives the product an endless appeal making the product look light weight and eye catching.



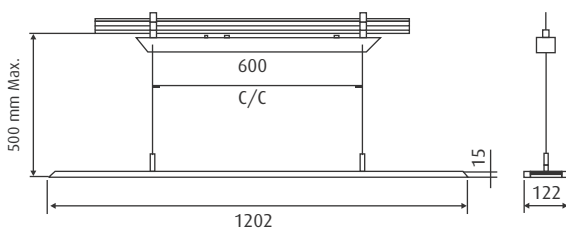
SPECIFICATIONS

- Extruded aluminum powder coated housing with pressure die cast end caps
- Edge lit optics derived from reflector+ light guide plate+ diffuser configuration
- Low wattage high efficiency LEDs
- Excellent heat dissipation through direct contact
- CRCA powder coated control gear housing
- Luminaries are suitable for stand alone and continuous row installation
- Conforms to IS 10322/Part 5/Sec 1 : 1987

INSTALLATION

- Universal suspension system with quick onsite adjustment:
 LMX 771 suitable for installation on RCC ceiling
 LMX 772 suitable for installation on modular grid Armstrong prelude ceiling
 LMX 773 suitable for installation on modular grid Armstrong silhouette ceiling

DIMENSION DRAWINGS



All dimensions are in mm. Tolerance ± 2 mm

ACCESSORIES

- In-built electronic LED driver
- Complete with LEDs and drivers pre-wired up to terminal block to connect in coming power
- 3way 10Amps GFP mains connector

ELECTRICAL & PACKING DATA

INGRESS PROTECTION **IP20**

Cat. No.*	Luminaire Lumen OP (Lm)	Luminaire Wattage (W)	Rated Voltage (V)	Mains Current (A)	Approx Weight (KG)	Case Lot (in nos)
LM77-441-XXX-57-V1	2743	32	240	0.13	2.7	02
LM77-441-XXX-40-V1	2590	32	240	0.13	2.7	02

*Other colour temperatures available on request.

LED is an ever improving and evolving technology. Wipro is committed to bring you the best in LED technology. Data given is representative and can change.

LineosLED | LM 31

Linear suspended LED luminaire



APPLICATIONS



SPECIFICATIONS

- Aluminium extruded powder coated white housing
- Special translucent satin finish colourLED PMMA diffuser.
- Low power, high efficacy long life LEDs
- Excellent heat dissipation through direct contact
- Complete assembly with LED, Driver and accessories pre wired upto terminal block
- Integral covered control gear
- Conforms to IS 10322/Part 5/Sec 1:1987

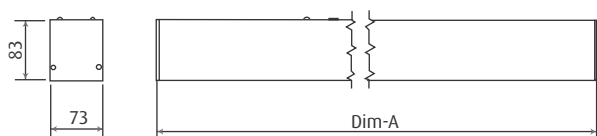
INSTALLATION

- WVX 861 - suitable for installation on RCC ceiling
- WVX 862 - suitable for installation on modular grid Prelude 24 mm ceiling system
- WVX 863 - suitable for installation on modular grid Silhouette 15mm ceiling system

CONTROL GEAR

- In-built Electronic LED driver

DIMENSION DRAWINGS



Cat No.	Dimension A (mm)	Dimension B (mm)
LM31-211-XXX-57-XX	1180	21
LM31-211-XXX-57-CT	1180	21
LM31-401-XXX-57-XX	1180	30
LM31-401-XXX-57-CT	1180	30

All dimensions are in mm. Tolerance ± 2 mm

ELECTRICAL & PACKING DATA

INGRESS PROTECTION **IP20**

Cat. No.*	Luminaire Lumen OP (Lm)	Luminaire Wattage (W)	Rated Voltage (V)	Mains Current (A)	Approx. Weight (kg)	Case Lot (in nos)
LM31-211-XXX-57-XX	1554	21	240	0.092	2.7	01
LM31-211-XXX-57-CT	1554	21	240	0.092	2.7	01
LM31-401-XXX-57-XX	2830	32	240	0.13	2.7	01
LM31-401-XXX-57-CT	2830	32	240	0.13	2.7	01

*Other colour temperatures available on request. LED is an ever improving and evolving technology. Wipro is committed to bring you the best in LED technology. Data given is representative and can change.



AxeonLED Surface | LM 34

Surface mounted linear LED luminaire



APPLICATIONS



SPECIFICATIONS

- White powder coated finish extruded aluminium housing
- Special translucent satin finish LED grade diffuser
- Low power, high efficacy long life LEDs
- Excellent heat dissipation
- LED driver duly wired up to terminal block
- Luminaires are suitable for stand-alone and continuous surface mounted installation
- Provision for loop in loop out for ease of wiring
- Conforms to IS 10322 part 5/ Sec 1 2012

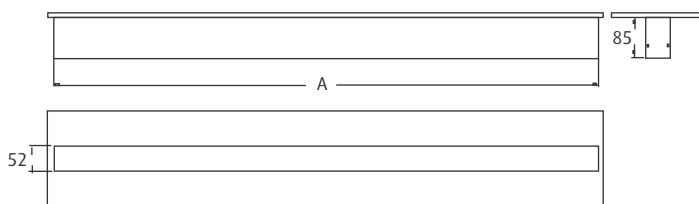
INSTALLATION

- Surface mounted brackets are provided for easy mounting on true ceiling

ACCESSORIES

- In-built electronic LED driver
- Complete with LEDs and drivers pre-wired up to terminal block to connect in coming power
- 3way 10Amps GFP mains connector

DIMENSION DRAWINGS



	A
4th Std	1180
4ft CT	1176
8th Std	2356
8th CT	2352

All dimensions are in mm. Tolerance ± 2 mm

ELECTRICAL & PACKING DATA

INGRESS PROTECTION **IP20**

Cat. No.*	Luminaire Lumen OP (Lm)	Luminaire Wattage (W)	Rated Voltage (V)	Mains Current (A)	Approx Weight (KG)	Case Lot (in nos)
LM34-251-XXX-57-SM	1764	20	240	0.092	4.5	01

*57 represents 5700K. Replace 57 with 40 for 4000K. LED is an ever improving and evolving technology. Wipro is committed to bring you the best in LED technology. Data given is representative and can change.

LH13 LED | LH 13

Pendant mounted LED luminaire with spun aluminium reflector

APPLICATIONS



FEATURES & BENEFITS

Design and Aesthetics

Compact design with aluminium die-cast construction for sturdy performance.

Optics

High efficiency reflector optics with choice of beam angles - very narrow, narrow, medium, wide.

LEDs

Best-in-class LED technology. High efficiency, LM80 compliant LEDs.

Thermal management

Designed for effective thermal management ensuring long service life and consistent performance of LEDs.



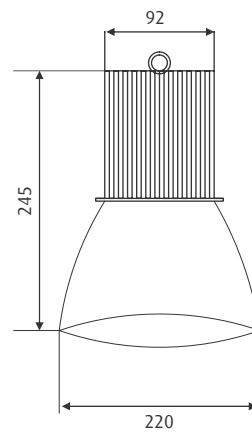
SPECIFICATIONS

- Extruded aluminum housing
- Aluminium reflector
- Best in class LEDs for better efficiency and light output
- Effective thermal management using aluminium casting
- High performance driver
- Suitable for accent and function lighting

INSTALLATION

- Suitable for mounting on RCC ceiling
- Standard offering with 1m suspension system

DIMENSION DRAWINGS



All dimensions are in mm. Tolerance ± 2 mm

ELECTRICAL & PACKING DATA

INGRESS PROTECTION **IP20**

Cat. No.*	Luminaire Lumen OP (Lm)	Nominal System Wattage (W)	Rated Voltage (V)	Mains Current (A)
LH13-301-060-40-XX	2880	32	240	0.14
LH13-301-060-57-XX	3070	32	240	0.14

LED is an ever improving and evolving technology. Wipro is committed to bring you the best in LED technology. Data given is representative and can change.

OrbitLED | LM 71

Circular suspended fully diffused LED luminaire



APPLICATIONS



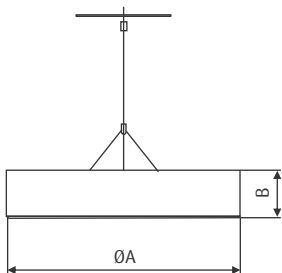
SPECIFICATIONS

- High efficacy and long life LEDs
- Housing made of CRCA and white matt powder coated
- High Efficiency Translucence(HET) diffuser made of PMMA(acrylic) milky white
- Suspension system made of steel wire of 2mm dia and accessories are chrome plated Or conduit made of MS pipe and white powder coated
- Easy to mount on true ceiling and quick to service
- Electronic control gear duly wired up to the terminal block
- Designed and manufactured to comply with IS 10322 part 5/Sec 1 1987

INSTALLATION

- Suitable for indoor suspended application

DIMENSION DRAWINGS



All dimensions are in mm. Tolerance ± 2 mm

Cat No.	DIM A	DIM B
LM71-441-XXX-57-XX	500	100
LM71-441-XXX-40-XX	500	100
LM71-341-XXX-57-XX	300	90
LM71-341-XXX-40-XX	300	90

ELECTRICAL & PACKING DATA

INGRESS PROTECTION **IP20**

Cat. No.*	Luminaire Lumen OP (Lm)	Nominal System Wattage (W)	Rated Voltage (V)	Mains Current (A)	Approx Weight (kg)	Case Lot (in nos)
LM71-341-XXX-40-XX	1855	26	240	0.12	4.25	01
LM71-441-XXX-40-XX	2626	34	240	0.15	4.25	01

*40 represents 4000K. Replace 40 with 57 for 5700K.

LED is an ever improving and evolving technology. Wipro is committed to bring you the best in LED technology. Data given is representative and can change.



ComfortLED | LW 04

Wall mounted personal LED luminaire



APPLICATIONS



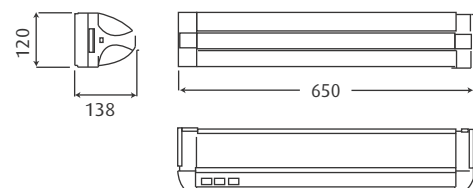
SPECIFICATIONS

- Patient Bedlight system with 2 options :
Individual glare free downlight for reading and examination
Individual up lighting for ambient lighting
- Extruded aluminium housing finish in off-white powder coated
- Diffuser in virgin, non-yellowing, precisely profiled extruded ribbed PMMA
- Translucence PMMA diffuser for Up & lighting and down lighting
- End cap in injection moulded engineering plastics
- Self-illuminated rocker switches
- High efficiency LEDs
- High performance LED driver pre-wired up to terminal block
- Conforms to IS 10322/Part 5/Sec 1 : 1987

INSTALLATION

- Fixing on wall via two key slots provided on the back side C.G. Tray

DIMENSION DRAWINGS



All dimensions are in mm. Tolerance ± 2 mm

ELECTRICAL & PACKING DATA

INGRESS PROTECTION **IP20**

Cat. No.*	Luminaire Lumen OP (Lm)	Luminaire Wattage (W)	Rated Voltage (V)	Mains Current (A)	Case Lot (in nos)
LW04-411-XXX-57-XX	2533	31	240	0.14	01

31- (10W up, 20W down, 0.5W LED)

LED is an ever improving and evolving technology. Wipro is committed to bring you the best in LED technology. Data given is representative and can change.