

Dura

LE07 | High Efficiency Wellglass

Durability and ruggedness with high energy efficiency



Rugged Construction

Pressure die-cast aluminium housing offers good corrosion resistance and retains strength in adverse conditions



Uniform Transmission

Impact resistant PC diffuser provides better light transmission even in thermal and dusty conditions



Durability

Unique heat sink design and thermally isolated driver ensures effective heat dissipation thus provides longer service life



Performance

Best in class LED with system efficacy upto 100 Lm/W and driver makes luminaire virtually maintenance free



IP66

Total Dust and water jet protected

IP66, rugged constructed LED wellglass offers resistance and uniform illumination in heavy industrial application. Isolated driver and unique heat sink design ensure performance and energy efficiency even in adverse conditions.

IoL[™]
Internet of Lighting

Dura

LE07 | High Efficiency Wellglass

Specifications

- Pressure die cast aluminium construction with powder coated finish ensures the long lasting quality of product
- Efficient LED with high power helps in saving energy
- Thermal isolated driver with heat resistant gasket and optical compartment enhances the life of the luminaire
- Injection molded translucent white impact resistant polycarbonate diffuser for uniform illumination in task area
- Accessories pre-wired up to terminal block

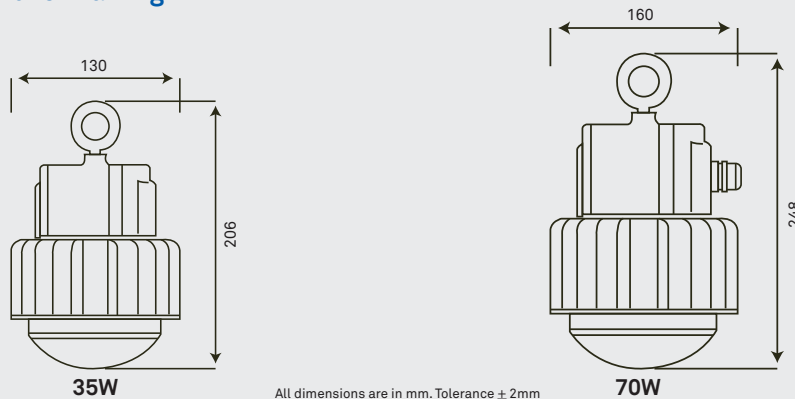
Installation

Suitable for pendant mounted using eye bolt
Also suitable for ceiling mounting

Control Gear

In-built integrated electronic LED driver

Dimensions Drawing



Electrical Data

IP66

Catalogue No.	Power (W) $\pm 10\%$	Rated Voltage (VAC)	Input Current (Amp)	Case Lot (In No's)
LE07-501-XXX-50-XX	35	240	0.30	04
LE07-112-XXX-57-XX	70	240	0.30	04



Application



Heavy Industry



Metals & Minerals



Cement Industry



Power Plant



Business Office:

Wipro Lighting, 5th floor, Godrej
Eternia - C, Old Pune-Mumbai Highway,
Shivajinagar, Pune - 411 005, India.
Tel.: 020-6609 8700
Fax: 020-6609 8777
E-mail: helpdesk.lighting@wipro.com

Registered Office:

Wipro Enterprises (P) Limited,
'C' Block, CCLG Division, Doddakannelli,
Sarjapur Road, Bangalore 560 035, India.

Toll-Free No.: 1800-425-1969

www.wiprolighting.com

Follow us on

Innovation and improvement are a way of life at Wipro.

All rights reserved. Reproduction of this data in part or in whole without permission is prohibited. Care has been taken to ensure that the information content within is correct. We reserve the right to modify the product without prior intimation. Imitation of Registered Designs is a punishable offence.